

# Composites USA, Inc. - FRP Fitting Standards

**Fitting Style No. 100**

**Product Class: DG**

**Order as: #100 - "D" -"L"**

**#100FxP - "D"- "L" for flange by plain end**

**#100FxF - "D"- "L" for flange by flange end**

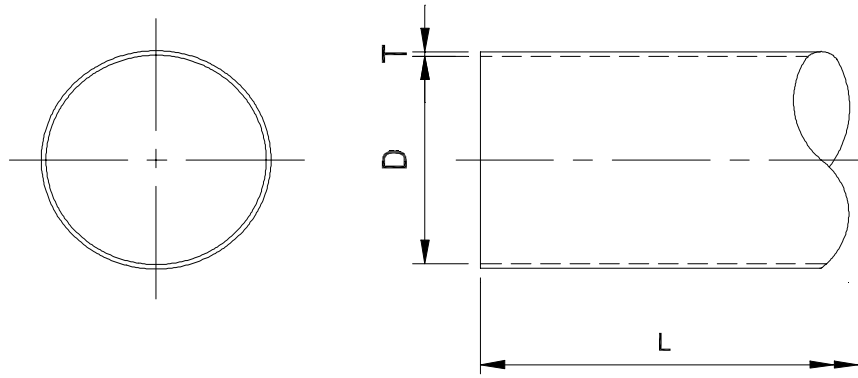
**Resin Type: Dual Guard**

**Project Identification: Standard**

**Corrosion Allowance: 0.000**

**Note: L shown is nominal, custom lengths avail.**

## ROUND DUCT



| Diameter "D" |     | Thickness, "T" |    | Length "L" |      | Diameter "D" |      | Thickness, "T" |    | Length "L" |      |
|--------------|-----|----------------|----|------------|------|--------------|------|----------------|----|------------|------|
| inches       | mm  | inches         | mm | inches     | mm   | inches       | mm   | inches         | mm | inches     | mm   |
| 1            | 25  | 0.150          | 4  | 108        | 2743 | 34           | 864  | 0.190          | 5  | 240        | 6096 |
| 1 1/2        | 38  | 0.150          | 4  | 120        | 3048 | 36           | 914  | 0.190          | 5  | 240        | 6096 |
| 2            | 51  | 0.150          | 4  | 240        | 6096 | 42           | 1067 | 0.260          | 7  | 240        | 6096 |
| 2 1/2        | 64  | 0.150          | 4  | 240        | 6096 | 48           | 1219 | 0.260          | 7  | 240        | 6096 |
| 3            | 76  | 0.150          | 4  | 240        | 6096 | 54           | 1372 | 0.260          | 7  | 240        | 6096 |
| 4            | 102 | 0.150          | 4  | 240        | 6096 | 60           | 1524 | 0.260          | 7  | 240        | 6096 |
| 5            | 127 | 0.150          | 4  | 240        | 6096 | 66           | 1676 | 0.260          | 7  | 240        | 6096 |
| 6            | 152 | 0.150          | 4  | 240        | 6096 | 72           | 1829 | 0.313          | 8  | 240        | 6096 |
| 7            | 178 | 0.150          | 4  | 240        | 6096 | 78           | 1981 | 0.350          | 9  | 240        | 6096 |
| 8            | 203 | 0.150          | 4  | 240        | 6096 | 84           | 2134 | 0.350          | 9  | 240        | 6096 |
| 9            | 229 | 0.150          | 4  | 240        | 6096 | 90           | 2286 | 0.375          | 10 | 240        | 6096 |
| 10           | 254 | 0.150          | 4  | 240        | 6096 | 96           | 2438 | 0.375          | 10 | 240        | 6096 |
| 12           | 305 | 0.150          | 4  | 240        | 6096 | 102          | 2591 | 0.375          | 10 | 240        | 6096 |
| 14           | 356 | 0.150          | 4  | 240        | 6096 | 108          | 2743 | 0.375          | 10 | 240        | 6096 |
| 16           | 406 | 0.150          | 4  | 240        | 6096 | 114          | 2896 | 0.375          | 10 | 240        | 6096 |
| 18           | 457 | 0.150          | 4  | 240        | 6096 | 120          | 3048 | 0.375          | 10 | 240        | 6096 |
| 20           | 508 | 0.150          | 4  | 240        | 6096 | 126          | 3200 | 0.375          | 10 | 240        | 6096 |
| 22           | 559 | 0.150          | 4  | 240        | 6096 | 132          | 3353 | 0.375          | 10 | 240        | 6096 |
| 24           | 610 | 0.190          | 5  | 240        | 6096 | 138          | 3505 | 0.375          | 10 | 240        | 6096 |
| 26           | 660 | 0.190          | 5  | 240        | 6096 | 144          | 3658 | 0.375          | 10 | 240        | 6096 |
| 28           | 711 | 0.190          | 5  | 240        | 6096 | 156          | 3962 | 0.375          | 10 | 120        | 3048 |
| 30           | 762 | 0.190          | 5  | 240        | 6096 | 168          | 4267 | 0.375          | 10 | 120        | 3048 |
| 32           | 813 | 0.190          | 5  | 240        | 6096 | 180          | 4572 | 0.375          | 10 | 120        | 3048 |

**Diameters available up to 24'-0". Thicknesses designed per project. Contact engineering for details.**

**Composites USA**

One Peninsula Drive, North East, MD USA 21901  
1-410-287-2700 Fax: 1-410-287-5222 info@compositesusa.com