

Composites USA, Inc. - FRP Fitting Standards

Fitting Style No. 120

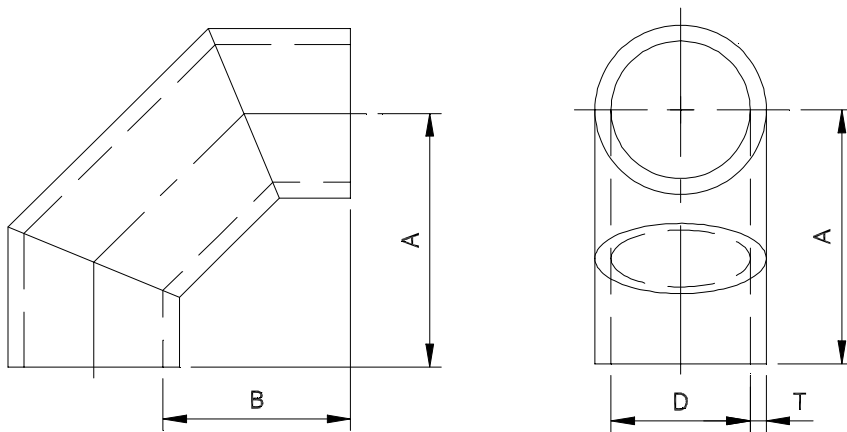
Product Class: DG

Order as: #120 - "D"

#120 FxP - "D" for flange by plain end
 #120 FxF - "D" for flange by flange end

Resin Type: Dual Guard Standard
Project Identification: Standard
Corrosion Allowance: 0.000
Note:

90° 3-GORE MITERED ELBOW



Diameter "D"		Thickness, "T"		Center-Line Radius "A"	Throat Radius "B"
inches	mm	inches	mm	inches	inches
1	25	0.150	4	1.5	1
1 1/2	38	0.150	4	2.3	1.5
2	51	0.150	4	3.0	2
2 1/2	64	0.150	4	3.8	2.5
3	76	0.150	4	4.5	3
4	102	0.150	4	6.0	4
5	127	0.150	4	7.5	5
6	152	0.150	4	9.0	6
7	178	0.150	4	10.5	7
8	203	0.150	4	12.0	8
9	229	0.150	4	13.5	9
10	254	0.150	4	15	10
12	305	0.150	4	18	12
14	356	0.150	4	21	14
16	406	0.150	4	24	16
18	457	0.150	4	27	18
20	508	0.150	4	30	20
22	559	0.150	4	33	22
24	610	0.190	5	36	24
26	660	0.190	5	39	26
28	711	0.190	5	42	28
30	762	0.190	5	45	30
32	813	0.190	5	48	32

Diameter "D"		Thickness, "T"		Center-Line Radius "A"	Throat Radius "B"
inches	mm	inches	mm	inches	inches
34	864	0.190	5	51	34
36	914	0.190	5	54	36
42	1067	0.260	7	63	42
48	1219	0.260	7	72	48
54	1372	0.260	7	81	54
60	1524	0.260	7	90	60
66	1676	0.260	7	99	66
72	1829	0.313	8	108	72
78	1981	0.350	9	117	78
84	2134	0.350	9	126	84
90	2286	0.375	10	135	90
96	2438	0.375	10	144	96
102	2591	0.375	10	153	102
108	2743	0.375	10	162	108
114	2896	0.375	10	171	114
120	3048	0.375	10	180	120
126	3200	0.375	10	189	126
132	3353	0.375	10	198	132
138	3505	0.375	10	207	138
144	3658	0.375	10	216	144
156	3962	0.375	10	234	156
168	4267	0.375	10	252	168
180	4572	0.375	10	270	180