

Composites USA, Inc. - FRP Fitting Standards

Fitting Style No. 121

Product Class: DG

Order as: #121 - "D"

#121 FxP - "D" for flange by plain end
#121 FxF - "D" for flange by flange end

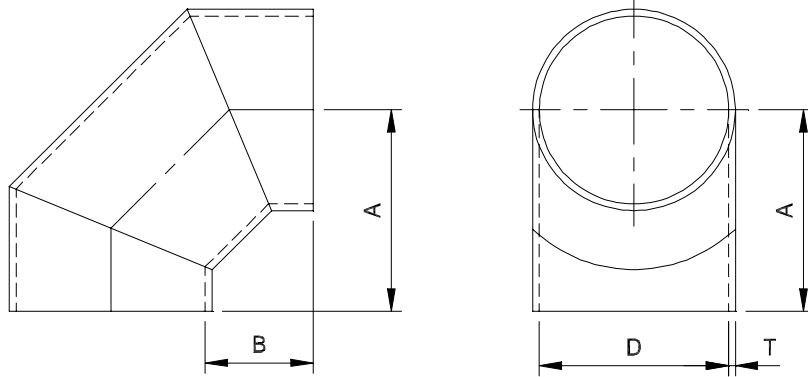
Resin Type: Dual Guard

Project Identification: Standard

Corrosion Allowance: 0.000

Note:

90° 3-GORE MITERED S.R. ELBOW



Diameter "D"		Thickness, "T"		Center-Line Radius "A"	Throat Radius "B"	Diameter "D"		Thickness, "T"		Center-Line Radius "A"	Throat Radius "B"
inches	mm	inches	mm	inches	inches	inches	mm	inches	mm	inches	inches
1	25	0.150	4	1	0.5	34	864	0.190	5	34	17
1 1/2	38	0.150	4	1.5	0.8	36	914	0.190	5	36	18
2	51	0.150	4	2	1.0	42	1067	0.260	7	42	21
2 1/2	64	0.150	4	2.5	1.3	48	1219	0.260	7	48	24
3	76	0.150	4	3	1.5	54	1372	0.260	7	54	27
4	102	0.150	4	4	2.0	60	1524	0.260	7	60	30
5	127	0.150	4	5	2.5	66	1676	0.260	7	66	33
6	152	0.150	4	6	3.0	72	1829	0.313	8	72	36
7	178	0.150	4	7	3.5	78	1981	0.350	9	78	39
8	203	0.150	4	8	4.0	84	2134	0.350	9	84	42
9	229	0.150	4	9	4.5	90	2286	0.375	10	90	45
10	254	0.150	4	10	5	96	2438	0.375	10	96	48
12	305	0.150	4	12	6	102	2591	0.375	10	102	51
14	356	0.150	4	14	7	108	2743	0.375	10	108	54
16	406	0.150	4	16	8	114	2896	0.375	10	114	57
18	457	0.150	4	18	9	120	3048	0.375	10	120	60
20	508	0.150	4	20	10	126	3200	0.375	10	126	63
22	559	0.150	4	22	11	132	3353	0.375	10	132	66
24	610	0.190	5	24	12	138	3505	0.375	10	138	69
26	660	0.190	5	26	13	144	3658	0.375	10	144	72
28	711	0.190	5	28	14	156	3962	0.375	10	156	78
30	762	0.190	5	30	15	168	4267	0.375	10	168	84
32	813	0.190	5	32	16	180	4572	0.375	10	180	90

Composites USA

One Peninsula Drive, North East, MD USA 21901
1-410-287-2700 Fax: 1-410-287-5222 info@compositesusa.com