

Composites USA, Inc. - FRP Fitting Standards

Fitting Style No. 130

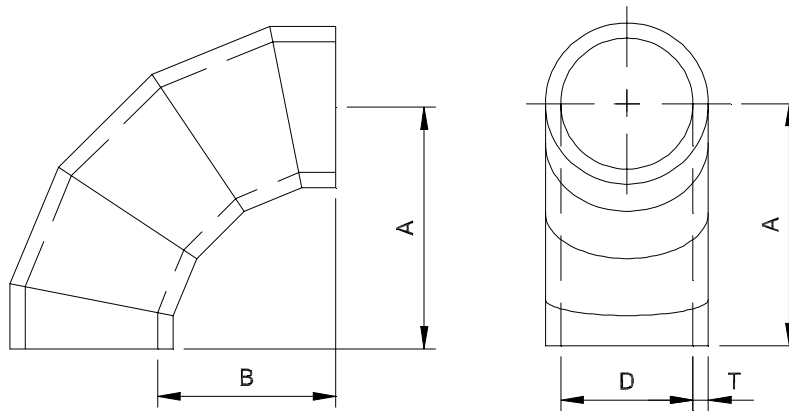
Product Class: DG

Order as: #130 - "D"

#130 FxP - "D" for flange by plain end
 #130 FxF - "D" for flange by flange end

Resin Type: Dual Guard
Project Identification: Standard
Corrosion Allowance: 0.000
Note:

90° L.R. 5-GORE MITERED ELBOW



Diameter "D"		Thickness, "T"		Center-Line Radius "A"	Throat Radius "B"	Diameter "D"		Thickness, "T"		Center-Line Radius "A"	Throat Radius "B"
inches	mm	inches	mm	inches	inches	inches	mm	inches	mm	inches	inches
1	25	0.150	4	1.5	1	34	864	0.190	5	51	34
1 1/2	38	0.150	4	2.3	1.5	36	914	0.190	5	54	36
2	51	0.150	4	3.0	2	42	1067	0.260	7	63	42
2 1/2	64	0.150	4	3.8	2.5	48	1219	0.260	7	72	48
3	76	0.150	4	4.5	3	54	1372	0.260	7	81	54
4	102	0.150	4	6.0	4	60	1524	0.260	7	90	60
5	127	0.150	4	7.5	5	66	1676	0.260	7	99	66
6	152	0.150	4	9.0	6	72	1829	0.313	8	108	72
7	178	0.150	4	10.5	7	78	1981	0.350	9	117	78
8	203	0.150	4	12.0	8	84	2134	0.350	9	126	84
9	229	0.150	4	13.5	9	90	2286	0.375	10	135	90
10	254	0.150	4	15	10	96	2438	0.375	10	144	96
12	305	0.150	4	18	12	102	2591	0.375	10	153	102
14	356	0.150	4	21	14	108	2743	0.375	10	162	108
16	406	0.150	4	24	16	114	2896	0.375	10	171	114
18	457	0.150	4	27	18	120	3048	0.375	10	180	120
20	508	0.150	4	30	20	126	3200	0.375	10	189	126
22	559	0.150	4	33	22	132	3353	0.375	10	198	132
24	610	0.190	5	36	24	138	3505	0.375	10	207	138
26	660	0.190	5	39	26	144	3658	0.375	10	216	144
28	711	0.190	5	42	28	156	3962	0.375	10	234	156
30	762	0.190	5	45	30	168	4267	0.375	10	252	168
32	813	0.190	5	48	32	180	4572	0.375	10	270	180

Composites USA

One Peninsula Drive, North East, MD USA 21901
 1-410-287-2700 Fax: 1-410-287-5222 info@compositesusa.com