

Composites USA, Inc. - FRP Fitting Standards

Fitting Style No. 131

Product Class: DG

Order as: #131 - "D"

#131 FxP - "D" for flange by plain end

#131 FxF - "D" for flange by flange end

Resin Type:

Project Identification:

Corrosion Allowance:

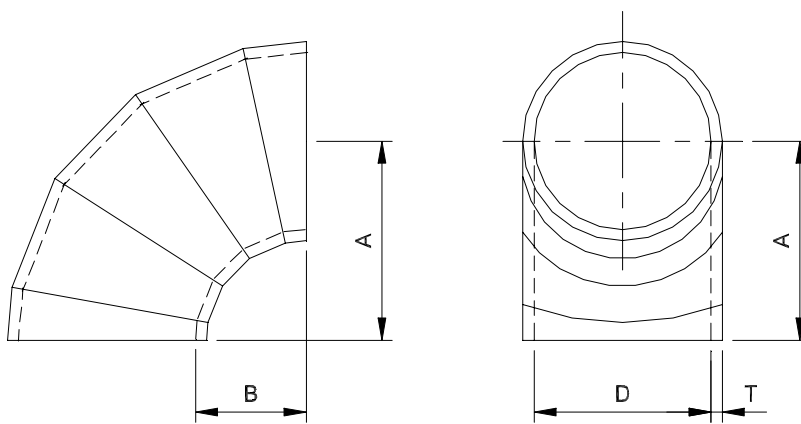
Note:

Dual Guard

Standard

0.000

90° S.R. 5-GORE MITERED ELBOW



Diameter "D"		Thickness, "T"		Center-Line Radius "A"	Throat Radius "B"
inches	mm	inches	mm	inches	inches
1	25	0.150	4	1	0.5
1 1/2	38	0.150	4	1.5	0.8
2	51	0.150	4	2	1.0
2 1/2	64	0.150	4	2.5	1.3
3	76	0.150	4	3	1.5
4	102	0.150	4	4	2.0
5	127	0.150	4	5	2.5
6	152	0.150	4	6	3.0
7	178	0.150	4	7	3.5
8	203	0.150	4	8	4.0
9	229	0.150	4	9	4.5
10	254	0.150	4	10	5
12	305	0.150	4	12	6
14	356	0.150	4	14	7
16	406	0.150	4	16	8
18	457	0.150	4	18	9
20	508	0.150	4	20	10
22	559	0.150	4	22	11
24	610	0.190	5	24	12
26	660	0.190	5	26	13
28	711	0.190	5	28	14
30	762	0.190	5	30	15
32	813	0.190	5	32	16

Diameter "D"		Thickness, "T"		Center-Line Radius "A"	Throat Radius "B"
inches	mm	inches	mm	inches	inches
34	864	0.190	5	34	17
36	914	0.190	5	36	18
42	1067	0.260	7	42	21
48	1219	0.260	7	48	24
54	1372	0.260	7	54	27
60	1524	0.260	7	60	30
66	1676	0.260	7	66	33
72	1829	0.313	8	72	36
78	1981	0.350	9	78	39
84	2134	0.350	9	84	42
90	2286	0.375	10	90	45
96	2438	0.375	10	96	48
102	2591	0.375	10	102	51
108	2743	0.375	10	108	54
114	2896	0.375	10	114	57
120	3048	0.375	10	120	60
126	3200	0.375	10	126	63
132	3353	0.375	10	132	66
138	3505	0.375	10	138	69
144	3658	0.375	10	144	72
156	3962	0.375	10	156	78
168	4267	0.375	10	168	84
180	4572	0.375	10	180	90

Composites USA

One Peninsula Drive, North East, MD USA 21901
1-410-287-2700 Fax: 1-410-287-5222 info@compositesusa.com