

# Composites USA, Inc. - FRP Fitting Standards

**Fitting Style No. 172-FT**

**Product Class:**

**DG**

Order as: #172-FT - "D"- "M"

#172-FT F-"D"- "M" (flange on "D")

**Resin Type:**

**Dual Guard**

**Project Identification:**

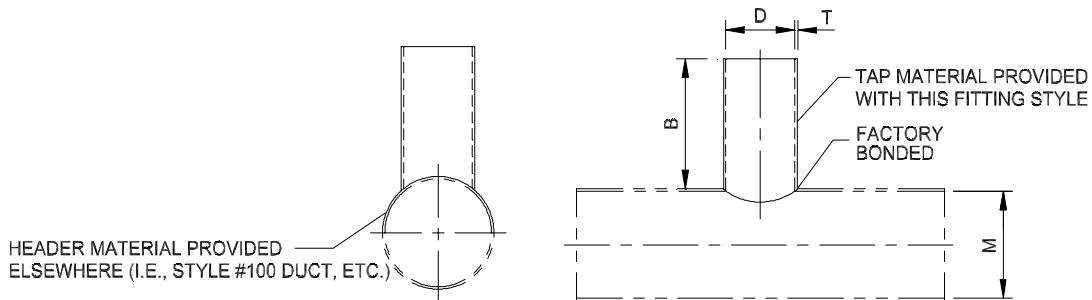
**Standard**

**Corrosion Allowance:**

**0.000**

**Note: This fitting (tap) would be ordered to customize another fitting or in purchasing a duct header sub-assembly  
Customer approved sketches are required to locate the tap properly.**

## 90° FACTORY INSTALLED CONCENTRIC TAP



Branch Diameter "D"		Main Diameter "M"		Length "B"	Thick. "T"
inches	mm	inches	mm	inches	inches
1	25	>= "D"	>= "D"	6	0.150
1 1/2	38	"	"	"	0.150
2	51	"	"	"	0.150
2 1/2	64	"	"	"	0.150
3	76	"	"	"	0.150
4	102	"	"	"	0.150
5	127	"	"	"	0.150
6	152	"	"	"	0.150
7	178	"	"	"	0.150
8	203	"	"	"	0.150
9	229	"	"	"	0.150
10	254	"	"	"	0.150
12	305	"	"	"	0.150
14	356	"	"	"	0.150
16	406	"	"	"	0.150
18	457	"	"	"	0.150
20	508	"	"	"	0.150
22	559	"	"	"	0.150
24	610	"	"	"	0.190
26	660	"	"	"	0.190
28	711	"	"	"	0.190
30	762	"	"	"	0.190
32	813	"	"	"	0.190

Branch Diameter "D"		Main Diameter "M"		Length "B"	Thick. "T"
inches	mm	inches	mm	inches	inches
34	864	>= "D"	>= "D"	6	0.190
36	914	"	"	"	0.190
42	1067	"	"	"	0.260
48	1219	"	"	"	0.260
54	1372	"	"	"	0.260
60	1524	"	"	"	0.260
66	1676	"	"	"	0.260
72	1829	"	"	"	0.313
78	1981	"	"	"	0.350
84	2134	"	"	"	0.350
90	2286	"	"	"	0.375
96	2438	"	"	"	0.375
102	2591	"	"	"	0.375
108	2743	"	"	"	0.375
114	2896	"	"	"	0.375
120	3048	"	"	"	0.375
126	3200	"	"	"	0.375
132	3353	"	"	"	0.375
138	3505	"	"	"	0.375
144	3658	"	"	"	0.375
156	3962	"	"	"	0.375
168	4267	"	"	"	0.375
180	4572	"	"	"	0.375

**Composites USA**

One Peninsula Drive, North East, MD USA 21901  
1-410-287-2700 Fax: 1-410-287-5222 info@compositesusa.com