

Composites USA, Inc. - FRP Fitting Standards

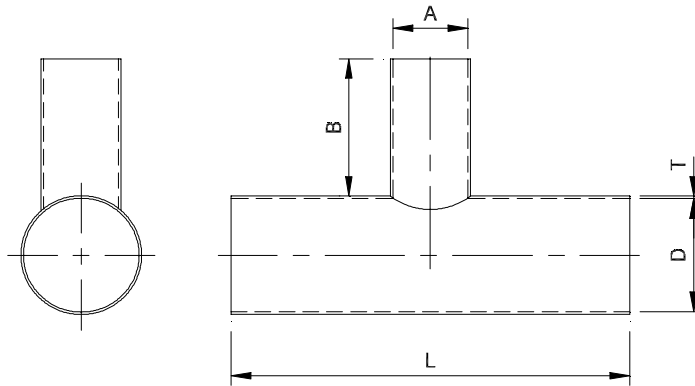
Fitting Style No. 172

Product Class: DG

Order as: #172 - "D"- "A"
 #172 PPF-"D"- "A" one end (branch) flanged
 #172 FFP-"D"- "A" two ends (run) flanged
 #172 FFF-"D"- "A" flanged
 Show "F" in the desired flange location

Resin Type: Dual Guard
Project Identification: Standard
Corrosion Allowance: 0.000
Note: Custom Lengths and standoffs available

90° BONDED REDUCING TEE



| Main Diameter "D" | | Branch Diam. "A" | Standoff "B" | Length "L" | Thick. "T" | Main Diameter "D" | | Branch Diam. "A" | Standoff "B" | Length "L" | Thick. "T" |
|-------------------|-----|------------------|--------------|------------|------------|-------------------|------|------------------|--------------|------------|------------|
| inches | mm | inches | inches | inches | inches | inches | mm | inches | inches | inches | inches |
| 1 | 25 | < or = to D | 6 | A +12 | 0.150 | 34 | 864 | < or = to D | 6 | A +12 | 0.190 |
| 1 1/2 | 38 | " | 6 | " | 0.150 | 36 | 914 | " | 6 | " | 0.190 |
| 2 | 51 | " | 6 | " | 0.150 | 42 | 1067 | " | 6 | " | 0.260 |
| 2 1/2 | 64 | " | 6 | " | 0.150 | 48 | 1219 | " | 6 | " | 0.260 |
| 3 | 76 | " | 6 | " | 0.150 | 54 | 1372 | " | 6 | " | 0.260 |
| 4 | 102 | " | 6 | " | 0.150 | 60 | 1524 | " | 6 | " | 0.260 |
| 5 | 127 | " | 6 | " | 0.150 | 66 | 1676 | " | 6 | " | 0.260 |
| 6 | 152 | " | 6 | " | 0.150 | 72 | 1829 | " | 6 | " | 0.313 |
| 7 | 178 | " | 6 | " | 0.150 | 78 | 1981 | " | 6 | " | 0.350 |
| 8 | 203 | " | 6 | " | 0.150 | 84 | 2134 | " | 6 | " | 0.350 |
| 9 | 229 | " | 6 | " | 0.150 | 90 | 2286 | " | 6 | " | 0.375 |
| 10 | 254 | " | 6 | " | 0.150 | 96 | 2438 | " | 6 | " | 0.375 |
| 12 | 305 | " | 6 | " | 0.150 | 102 | 2591 | " | 6 | " | 0.375 |
| 14 | 356 | " | 6 | " | 0.150 | 108 | 2743 | " | 6 | " | 0.375 |
| 16 | 406 | " | 6 | " | 0.150 | 114 | 2896 | " | 6 | " | 0.375 |
| 18 | 457 | " | 6 | " | 0.150 | 120 | 3048 | " | 6 | " | 0.375 |
| 20 | 508 | " | 6 | " | 0.150 | 126 | 3200 | " | 6 | " | 0.375 |
| 22 | 559 | " | 6 | " | 0.150 | 132 | 3353 | " | 6 | " | 0.375 |
| 24 | 610 | " | 6 | " | 0.190 | 138 | 3505 | " | 6 | " | 0.375 |
| 26 | 660 | " | 6 | " | 0.190 | 144 | 3658 | " | 6 | " | 0.375 |
| 28 | 711 | " | 6 | " | 0.190 | 156 | 3962 | " | 6 | " | 0.375 |
| 30 | 762 | " | 6 | " | 0.190 | 168 | 4267 | " | 6 | " | 0.375 |
| 32 | 813 | " | 6 | " | 0.190 | 180 | 4572 | " | 6 | " | 0.375 |

Composites USA

One Peninsula Drive, North East, MD USA 21901
 1-410-287-2700 Fax: 1-410-287-5222 info@compositesusa.com