

# Composites USA, Inc. - FRP Fitting Standards

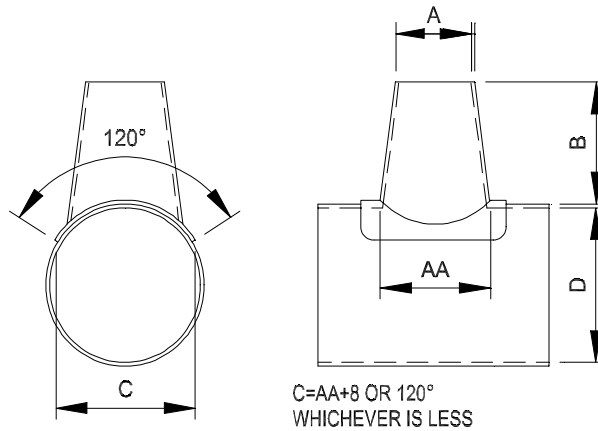
**Fitting Style No. 175-ST**

**Product Class: DG**

Order as: #175-ST - "A"onto"D"  
 #175-ST-F-"A"- "D" (flange on "A")

**Resin Type: Dual Guard**  
**Project Identification: Standard**  
**Corrosion Allowance: 0.000**  
**Note: "B" shown is standard, custom lengths avail.**

## 90° CONICAL REDUCING SADDLE TAP



Branch Diam. "A"		Main Diam. "D"	Hole Size "AA"	Standoff "B"	Thick. "T"	Branch Diam. "A"		Main Diam. "D"	Hole Size "AA"	Standoff "B"	Thick. "T"
inches	mm	inches	inches	inches	inches	inches	mm	inches	inches	inches	inches
1	-	-	-	-	-	34	864	> "A"	"A" + 4.85	6	0.190
1 1/2	-	-	-	-	-	36	914	"	"	"	0.190
2	51	> "A"	"A" + 4.85	6	0.150	42	1067	"	"	"	0.260
2 1/2	64	"	"	"	0.150	48	1219	"	"	"	0.260
3	76	"	"	"	0.150	54	1372	"	"	"	0.260
4	102	"	"	"	0.150	60	1524	"	"	"	0.260
5	127	"	"	"	0.150	66	1676	"	"	"	0.260
6	152	"	"	"	0.150	72	1829	"	"	"	0.313
7	178	"	"	"	0.150	78	1981	"	"	"	0.350
8	203	"	"	"	0.150	84	2134	"	"	"	0.350
9	229	"	"	"	0.150	90	2286	"	"	"	0.375
10	254	"	"	"	0.150	96	2438	"	"	"	0.375
12	305	"	"	"	0.150	102	2591	"	"	"	0.375
14	356	"	"	"	0.150	108	2743	"	"	"	0.375
16	406	"	"	"	0.150	114	2896	"	"	"	0.375
18	457	"	"	"	0.150	120	3048	"	"	"	0.375
20	508	"	"	"	0.150	126	3200	"	"	"	0.375
22	559	"	"	"	0.150	132	3353	"	"	"	0.375
24	610	"	"	"	0.190	138	3505	"	"	"	0.375
26	660	"	"	"	0.190	144	3658	"	"	"	0.375
28	711	"	"	"	0.190	156	3962	"	"	"	0.375
30	762	"	"	"	0.190	168	4267	"	"	"	0.375
32	813	"	"	"	0.190	180	4572	"	"	"	0.375

**Composites USA**

One Peninsula Drive, North East, MD USA 21901  
 1-410-287-2700 Fax: 1-410-287-5222 info@compositesusa.com