

# Composites USA, Inc. - FRP Fitting Standards

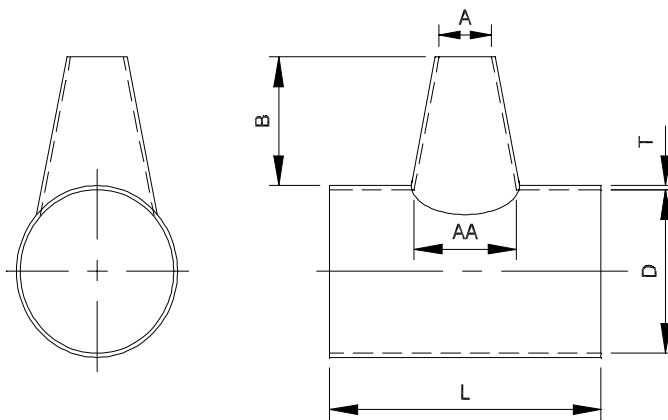
**Fitting Style No. 175**

**Product Class: DG**

Order as: #175 - "D"-"A"  
 #175 PPF-"D"-"A" one end (branch) flanged  
 #175 FFP-"D"-"A" two ends (run) flanged  
 #175 FFF-"D"-"A" flanged  
 Show "F" in the desired flange location

Resin Type: Dual Guard  
 Project Identification: Standard  
 Corrosion Allowance: 0.000  
 Note: "B" shown is standard, custom lengths avail.

## 90° BONDED CONCENTRIC CONICAL TEE



Main Diam. "D"	Branch Diam. "A"	Hole Size "AA"	Fitting Length "L"	Standoff "B"	Thick. "T"	Main Diam. "D"	Branch Diam. "A"	Hole Size "AA"	Fitting Length "L"	Standoff "B"	Thick. "T"
inches	inches	inches	inches	inches	inches	inches	mm	inches	inches	inches	inches
1	-	-	-	-	-	34	< "D"	"A" + 4.85	"A" + 12	6	0.190
1 1/2	-	-	-	-	-	36	914	"	"	"	0.190
2	< "D"	"A" + 4.85	"AA" + 12	6	0.150	42	1067	"	"	"	0.260
2 1/2	"	"	"	"	0.150	48	1219	"	"	"	0.260
3	"	"	"	"	0.150	54	1372	"	"	"	0.260
4	"	"	"	"	0.150	60	1524	"	"	"	0.260
5	"	"	"	"	0.150	66	1676	"	"	"	0.260
6	"	"	"	"	0.150	72	1829	"	"	"	0.313
7	"	"	"	"	0.150	78	1981	"	"	"	0.350
8	"	"	"	"	0.150	84	2134	"	"	"	0.350
9	"	"	"	"	0.150	90	2286	"	"	"	0.375
10	"	"	"	"	0.150	96	2438	"	"	"	0.375
12	"	"	"	"	0.150	102	2591	"	"	"	0.375
14	"	"	"	"	0.150	108	2743	"	"	"	0.375
16	"	"	"	"	0.150	114	2896	"	"	"	0.375
18	"	"	"	"	0.150	120	3048	"	"	"	0.375
20	"	"	"	"	0.150	126	3200	"	"	"	0.375
22	"	"	"	"	0.150	132	3353	"	"	"	0.375
24	"	"	"	"	0.190	138	3505	"	"	"	0.375
26	"	"	"	"	0.190	144	3658	"	"	"	0.375
28	"	"	"	"	0.190	156	3962	"	"	"	0.375
30	"	"	"	"	0.190	168	4267	"	"	"	0.375
32	"	"	"	"	0.190	180	4572	"	"	"	0.375

Composites USA

One Peninsula Drive, North East, MD USA 21901  
 1-410-287-2700 Fax: 1-410-287-5222 info@compositesusa.com