

Composites USA, Inc. - Fitting Standards

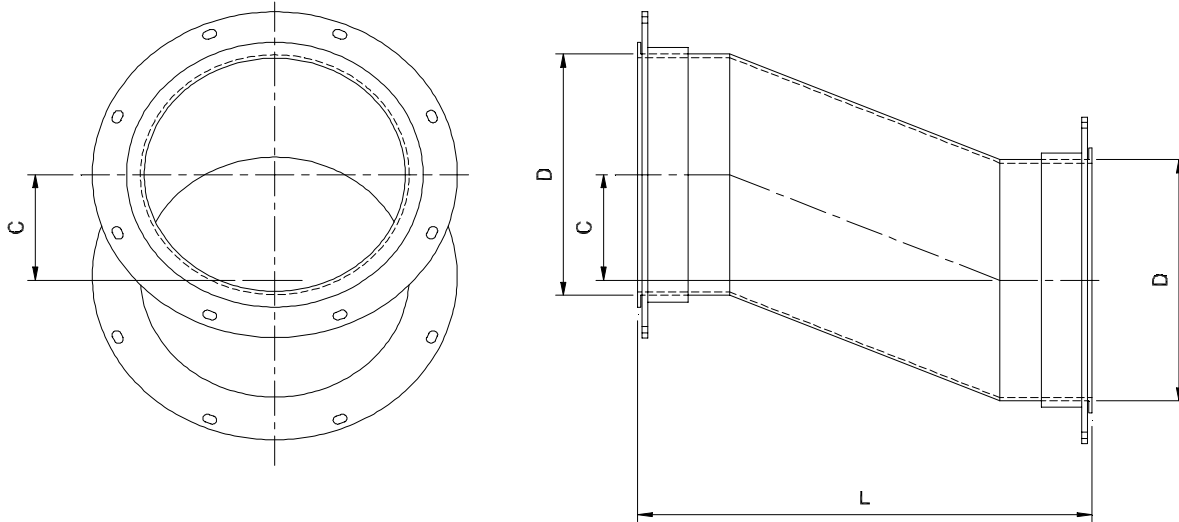
Fitting Style No.: SS-101
Order as Fitting: SS-101 -"D" - "L" - "C"

Material: Pure Guard SS
Options: Stainless bolt set
 Stainless Flange Rings
 Quick Clamps (Avail. <= 18")



Project Specifications: Standard Design & Materials, -6" w.c.
 Ships standard with A-36 steel rings, SS rings >48" diameter, one plated bolt set and gasket

ROUND DUCT OFFSET



Diameter "D"		O.A. Length, "L"		Offset "C"			Diameter "D"		O.A. Length, "L"		Offset "C"	
inches	mm	inches	mm	inches	mm		inches	mm	inches	mm	inches	mm
4	102	Specify, <120"		Specify, D+C<120"			48	1219	Specify, <=120"		Specify, D+C<120"	
6	152	"	"	"	"		50	1270	"	"	"	"
8	203	"	"	"	"		52	1321	"	"	"	"
10	254	"	"	"	"		54	1372	"	"	"	"
12	305	"	"	"	"		56	1422	"	"	"	"
14	356	"	"	"	"		58	1473	"	"	"	"
16	406	"	"	"	"		60	1524	"	"	"	"
18	457	"	"	"	"		62	1575	"	"	"	"
20	508	"	"	"	"		64	1626	"	"	"	"
22	559	"	"	"	"		66	1676	"	"	"	"
24	610	"	"	"	"		68	1727	"	"	"	"
26	660	"	"	"	"		72	1829	"	"	"	"
28	711	"	"	"	"		78	1981	"	"	"	"
30	762	"	"	"	"		84	2134	"	"	"	"
32	813	"	"	"	"		90	2286	"	"	"	"
34	864	"	"	"	"		96	2438	"	"	"	"
36	914	"	"	"	"		102	2591	"	"	"	"
38	965	"	"	"	"		108	2743	"	"	"	"
40	1016	"	"	"	"		114	2896	"	"	"	"
42	1067	"	"	"	"		120	3048	"	"	"	"
44	1118	"	"	"	"		126	3200	"	"	"	"
46	1168	"	"	"	"		132	3353	"	"	"	"

Composites USA

One Peninsula Drive, North East, MD USA 21901
 1-410-287-2700 Fax: 1-410-287-5222 info@compositesusa.com