

Composites USA, Inc. - Fitting Standards

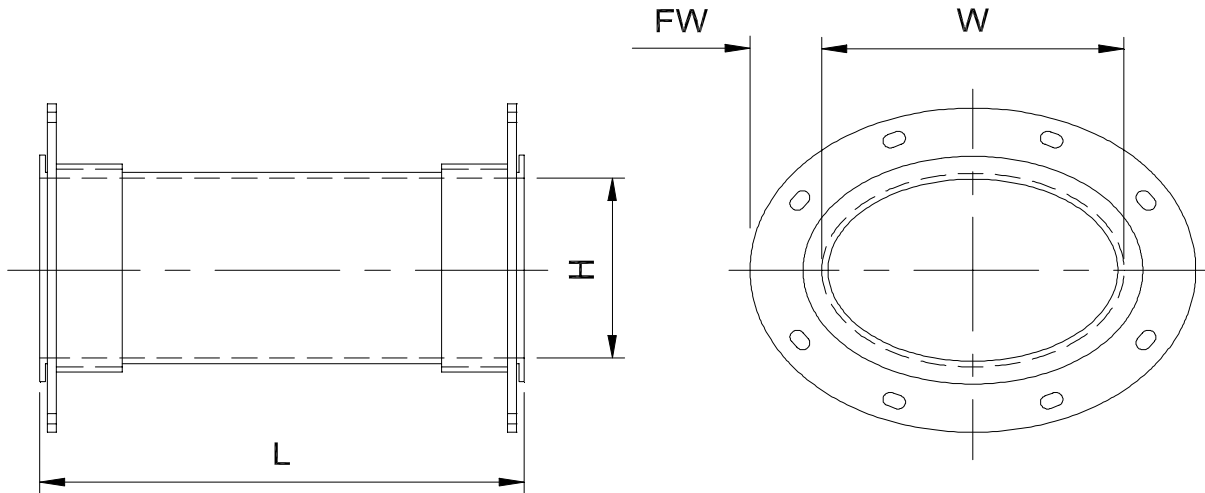
Fitting Style No.: **SS-107**
 Order as Fitting: **SS-107** "-W" - "H" - "L"

Material: **Pure Guard SS**
 Options: Stainless bolt set
 Stainless Flange Rings



Project Specifications: Standard Design & Materials, -6" w.c.
 Ships standard with A-36 steel rings, one plated bolt set and gasket

OVAL DUCT



Width "W"		Height "H"		Length "L"			Width "W"		Height "H"		Length "L"	
inches	mm	inches	mm	inches	mm		inches	mm	inches	mm	inches	mm
4	102	Specify	Specify	Specify	Specify		48	1219	Specify	Specify	Specify	Specify
6	152	"	"	"	"		50	1270	"	"	"	"
8	203	"	"	"	"		52	1321	"	"	"	"
10	254	"	"	"	"		54	1372	"	"	"	"
12	305	"	"	"	"		56	1422	"	"	"	"
14	356	"	"	"	"		58	1473	"	"	"	"
16	406	"	"	"	"		60	1524	"	"	"	"
18	457	"	"	"	"		62	1575	"	"	"	"
20	508	"	"	"	"		64	1626	"	"	"	"
22	559	"	"	"	"		66	1676	"	"	"	"
24	610	"	"	"	"		68	1727	"	"	"	"
26	660	"	"	"	"		72	1829	"	"	"	"
28	711	"	"	"	"		78	1981	"	"	"	"
30	762	"	"	"	"		84	2134	"	"	"	"
32	813	"	"	"	"		90	2286	"	"	"	"
34	864	"	"	"	"		96	2438	"	"	"	"
36	914	"	"	"	"		102	2591	"	"	"	"
38	965	"	"	"	"		108	2743	"	"	"	"
40	1016	"	"	"	"		114	2896	"	"	"	"
42	1067	"	"	"	"		120	3048	"	"	"	"
44	1118	"	"	"	"		126	3200	"	"	"	"
46	1168	"	"	"	"		132	3353	"	"	"	"