

Composites USA, Inc. - Fitting Standards

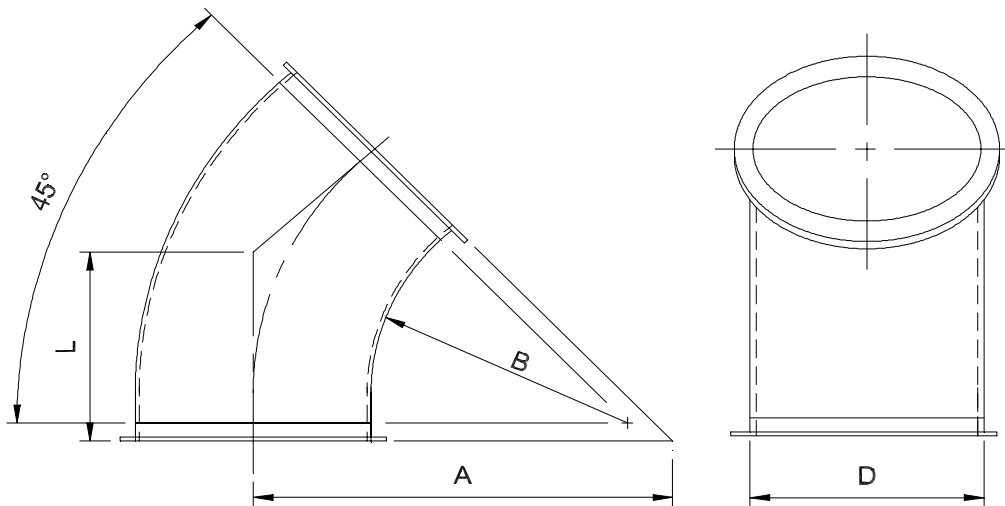
Fitting Style No.: SS-115
 Order as Fitting: SS-115 -"D"

Material: Pure Guard SS
 Options:



Project Specifications: Standard Design & Materials, -6" w.c.
 Ships standard with one Quick Clamp and gasket

45° L.R. SWEEP ELBOW



Diameter "D"		Face-Center "L"		Throat Radius "B"		Diameter "D"		Face-Center "L"		Throat Radius "B"	
inches	mm	inches	mm	inches	mm	inches	mm	inches	mm	inches	mm
2	51	1.31	33	2	51	3	76	1.93	49	3	76