

Composites USA, Inc. - Fitting Standards

Fitting Style No.: SS-125
 Order as Fitting: SS-125

-"D"

Material: Pure Guard SS

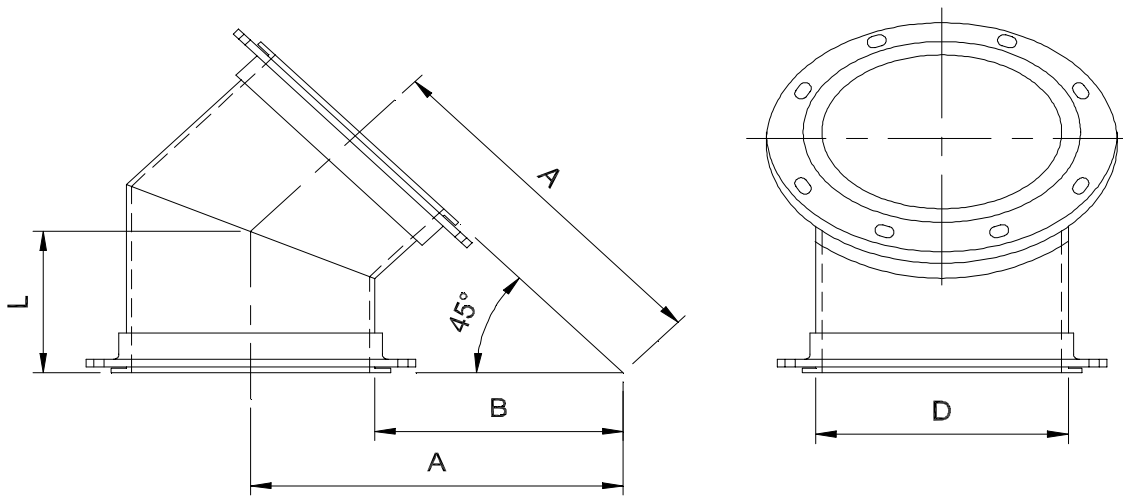
- Options:
- Stainless bolt set
 - Stainless Flange Rings
 - Quick Clamps (Avail. $\leq 18''$)



Project Specifications: Standard Design & Materials, -6" w.c.

Ships standard with A-36 steel rings, SS rings >48" diameter, one plated bolt set and gasket

45° 2-GORE MITERED L.R. ELBOW



| Diameter "D" | | Face-Center "L" | | Throat Radius "B" | | | Diameter "D" | | Face-Center "L" | | Throat Radius "B" | |
|--------------|------|-----------------|-----|-------------------|------|--|--------------|------|-----------------|------|-------------------|------|
| inches | mm | inches | mm | inches | mm | | inches | mm | inches | mm | inches | mm |
| 4 | 102 | 2.48 | 63 | 4 | 102 | | 48 | 1219 | 29.81 | 757 | 48 | 1219 |
| 6 | 152 | 3.73 | 95 | 6 | 152 | | 50 | 1270 | 31.05 | 789 | 50 | 1270 |
| 8 | 203 | 4.97 | 126 | 8 | 203 | | 52 | 1321 | 32.29 | 820 | 52 | 1321 |
| 10 | 254 | 6.21 | 158 | 10 | 254 | | 54 | 1372 | 33.53 | 852 | 54 | 1372 |
| 12 | 305 | 7.45 | 189 | 12 | 305 | | 56 | 1422 | 34.78 | 883 | 56 | 1422 |
| 14 | 356 | 8.69 | 221 | 14 | 356 | | 58 | 1473 | 36.02 | 915 | 58 | 1473 |
| 16 | 406 | 9.94 | 252 | 16 | 406 | | 60 | 1524 | 37.26 | 946 | 60 | 1524 |
| 18 | 457 | 11.18 | 284 | 18 | 457 | | 62 | 1575 | 38.50 | 978 | 62 | 1575 |
| 20 | 508 | 12.42 | 315 | 20 | 508 | | 64 | 1626 | 39.74 | 1009 | 64 | 1626 |
| 22 | 559 | 13.66 | 347 | 22 | 559 | | 66 | 1676 | 40.99 | 1041 | 66 | 1676 |
| 24 | 610 | 14.90 | 379 | 24 | 610 | | 68 | 1727 | 42.23 | 1073 | 68 | 1727 |
| 26 | 660 | 16.15 | 410 | 26 | 660 | | 72 | 1829 | 44.71 | 1136 | 72 | 1829 |
| 28 | 711 | 17.39 | 442 | 28 | 711 | | 78 | 1981 | 48.44 | 1230 | 78 | 1981 |
| 30 | 762 | 18.63 | 473 | 30 | 762 | | 84 | 2134 | 52.16 | 1325 | 84 | 2134 |
| 32 | 813 | 19.87 | 505 | 32 | 813 | | 90 | 2286 | 55.89 | 1420 | 90 | 2286 |
| 34 | 864 | 21.11 | 536 | 34 | 864 | | 96 | 2438 | 59.62 | 1514 | 96 | 2438 |
| 36 | 914 | 22.36 | 568 | 36 | 914 | | 102 | 2591 | 63.34 | 1609 | 102 | 2591 |
| 38 | 965 | 23.60 | 599 | 38 | 965 | | 108 | 2743 | 67.07 | 1704 | 108 | 2743 |
| 40 | 1016 | 24.84 | 631 | 40 | 1016 | | 114 | 2896 | 70.79 | 1798 | 114 | 2896 |
| 42 | 1067 | 26.08 | 662 | 42 | 1067 | | 120 | 3048 | 74.52 | 1893 | 120 | 3048 |
| 44 | 1118 | 27.32 | 694 | 44 | 1118 | | 126 | 3200 | 78.25 | 1987 | 126 | 3200 |
| 46 | 1168 | 28.57 | 726 | 46 | 1168 | | 132 | 3353 | 81.97 | 2082 | 132 | 3353 |

Composites USA

One Peninsula Drive, North East, MD USA 21901

1-410-287-2700 Fax: 1-410-287-5222 info@compositesusa.com