

Composites USA, Inc. - Fitting Standards

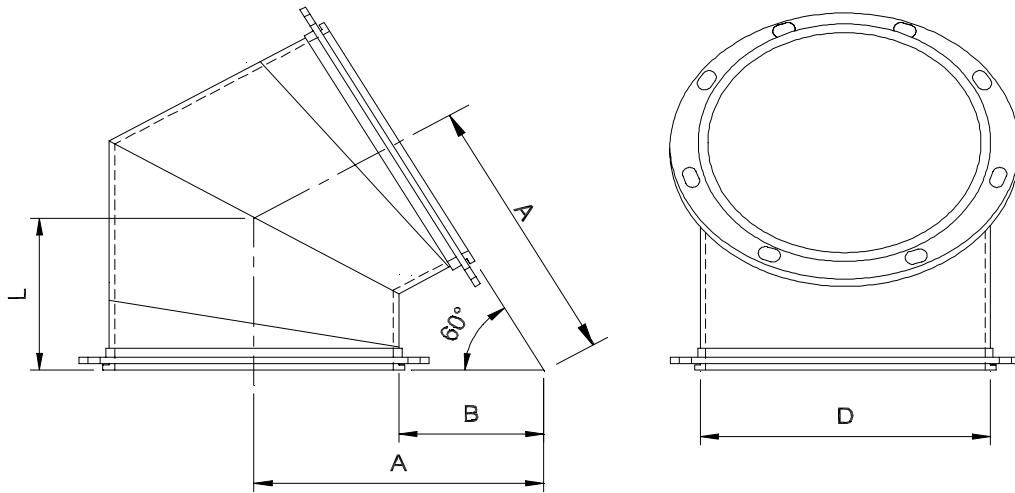
Fitting Style No.: SS-134
Order as Fitting: SS-134 -"D"

Material: Pure Guard SS
Options: Stainless bolt set
 Stainless Flange Rings
 Quick Clamps (Avail. $\leq 18''$)



Project Specifications: Standard Design & Materials, -6" w.c.
 Ships standard with A-36 steel rings, SS rings >48" diameter, one plated bolt set and gasket

60° 4-GORE MITERED S.R. ELBOW



Diameter "D"		Face-Center "L"		Throat Radius "B"			Diameter "D"		Face-Center "L"		Throat Radius "B"	
inches	mm	inches	mm	inches	mm		inches	mm	inches	mm	inches	mm
4	102	2.31	59	2	51		48	1219	27.70	703	24	610
6	152	3.46	88	3	76		50	1270	28.85	733	25	635
8	203	4.62	117	4	102		52	1321	30.00	762	26	660
10	254	5.77	147	5	127		54	1372	31.16	791	27	686
12	305	6.92	176	6	152		56	1422	32.31	821	28	711
14	356	8.08	205	7	178		58	1473	33.47	850	29	737
16	406	9.23	234	8	203		60	1524	34.62	879	30	762
18	457	10.39	264	9	229		62	1575	35.77	909	31	787
20	508	11.54	293	10	254		64	1626	36.93	938	32	813
22	559	12.69	322	11	279		66	1676	38.08	967	33	838
24	610	13.85	352	12	305		68	1727	39.24	997	34	864
26	660	15.00	381	13	330		72	1829	41.54	1055	36	914
28	711	16.16	410	14	356		78	1981	45.01	1143	39	991
30	762	17.31	440	15	381		84	2134	48.47	1231	42	1067
32	813	18.46	469	16	406		90	2286	51.93	1319	45	1143
34	864	19.62	498	17	432		96	2438	55.39	1407	48	1219
36	914	20.77	528	18	457		102	2591	58.85	1495	51	1295
38	965	21.93	557	19	483		108	2743	62.32	1583	54	1372
40	1016	23.08	586	20	508		114	2896	65.78	1671	57	1448
42	1067	24.23	616	21	533		120	3048	69.24	1759	60	1524
44	1118	25.39	645	22	559		126	3200	72.70	1847	63	1600
46	1168	26.54	674	23	584		132	3353	76.16	1935	66	1676