

Composites USA, Inc. - Fitting Standards

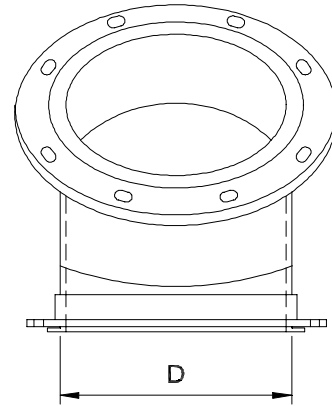
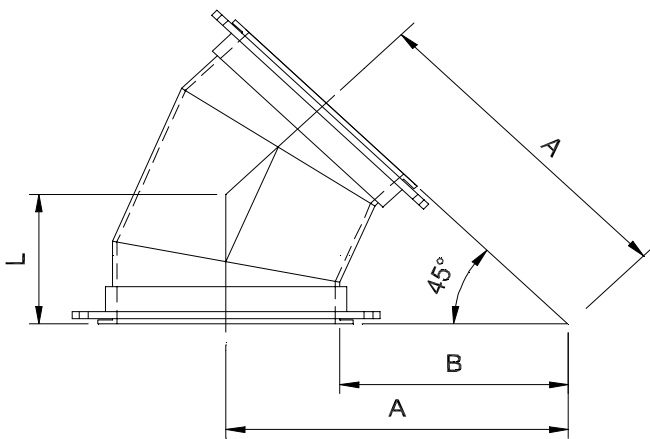
Fitting Style No.: **SS-135**
 Order as Fitting: **SS-135** **-"D"**

Material: **Pure Guard SS**
 Options: Stainless bolt set
 Stainless Flange Rings
 Quick Clamps (Avail. $\leq 18''$)



Project Specifications: Standard Design & Materials, -6" w.c.
 Ships standard with A-36 steel rings, SS rings >48" diameter, one plated bolt set and gasket

45° 3-GORE MITERED L.R. ELBOW



Diameter "D"		Face-Center "L"		Throat Radius "B"			Diameter "D"		Face-Center "L"		Throat Radius "B"	
inches	mm	inches	mm	inches	mm		inches	mm	inches	mm	inches	mm
4	102	2.48	63	4	102		48	1219	29.81	757	48	1219
6	152	3.73	95	6	152		50	1270	31.05	789	50	1270
8	203	4.97	126	8	203		52	1321	32.29	820	52	1321
10	254	6.21	158	10	254		54	1372	33.53	852	54	1372
12	305	7.45	189	12	305		56	1422	34.78	883	56	1422
14	356	8.69	221	14	356		58	1473	36.02	915	58	1473
16	406	9.94	252	16	406		60	1524	37.26	946	60	1524
18	457	11.18	284	18	457		62	1575	38.50	978	62	1575
20	508	12.42	315	20	508		64	1626	39.74	1009	64	1626
22	559	13.66	347	22	559		66	1676	40.99	1041	66	1676
24	610	14.90	379	24	610		68	1727	42.23	1073	68	1727
26	660	16.15	410	26	660		72	1829	44.71	1136	72	1829
28	711	17.39	442	28	711		78	1981	48.44	1230	78	1981
30	762	18.63	473	30	762		84	2134	52.16	1325	84	2134
32	813	19.87	505	32	813		90	2286	55.89	1420	90	2286
34	864	21.11	536	34	864		96	2438	59.62	1514	96	2438
36	914	22.36	568	36	914		102	2591	63.34	1609	102	2591
38	965	23.60	599	38	965		108	2743	67.07	1704	108	2743
40	1016	24.84	631	40	1016		114	2896	70.79	1798	114	2896
42	1067	26.08	662	42	1067		120	3048	74.52	1893	120	3048
44	1118	27.32	694	44	1118		126	3200	78.25	1987	126	3200
46	1168	28.57	726	46	1168		132	3353	81.97	2082	132	3353