

# Composites USA, Inc. - Fitting Standards

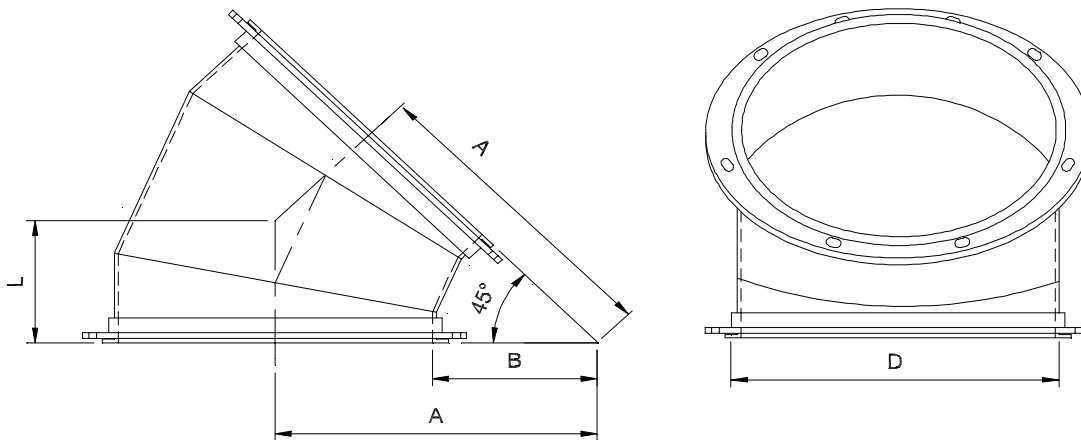
**Fitting Style No.:** SS-136  
**Order as Fitting:** SS-136    -"D"

**Material:** Pure Guard SS  
**Options:**  Stainless bolt set  
 Stainless Flange Rings  
 Quick Clamps (Avail. <= 18")



**Project Specifications:** Standard Design & Materials, -6" w.c.  
 Ships standard with A-36 steel rings, SS rings >48" diameter, one plated bolt set and gasket

## 45° 3-GORE MITERED S.R. ELBOW



Diameter "D"		Face-Center "L"		Throat Radius "B"			Diameter "D"		Face-Center "L"		Throat Radius "B"	
inches	mm	inches	mm	inches	mm		inches	mm	inches	mm	inches	mm
4	102	1.66	42	2	51		48	1219	19.87	505	24	610
6	152	2.48	63	3	76		50	1270	20.70	526	25	635
8	203	3.31	84	4	102		52	1321	21.53	547	26	660
10	254	4.14	105	5	127		54	1372	22.36	568	27	686
12	305	4.97	126	6	152		56	1422	23.18	589	28	711
14	356	5.80	147	7	178		58	1473	24.01	610	29	737
16	406	6.62	168	8	203		60	1524	24.84	631	30	762
18	457	7.45	189	9	229		62	1575	25.67	652	31	787
20	508	8.28	210	10	254		64	1626	26.50	673	32	813
22	559	9.11	231	11	279		66	1676	27.32	694	33	838
24	610	9.94	252	12	305		68	1727	28.15	715	34	864
26	660	10.76	273	13	330		72	1829	29.81	757	36	914
28	711	11.59	294	14	356		78	1981	32.29	820	39	991
30	762	12.42	315	15	381		84	2134	34.78	883	42	1067
32	813	13.25	336	16	406		90	2286	37.26	946	45	1143
34	864	14.08	358	17	432		96	2438	39.74	1009	48	1219
36	914	14.90	379	18	457		102	2591	42.23	1073	51	1295
38	965	15.73	400	19	483		108	2743	44.71	1136	54	1372
40	1016	16.56	421	20	508		114	2896	47.20	1199	57	1448
42	1067	17.39	442	21	533		120	3048	49.68	1262	60	1524
44	1118	18.22	463	22	559		126	3200	52.16	1325	63	1600
46	1168	19.04	484	23	584		132	3353	54.65	1388	66	1676

**Composites USA**

One Peninsula Drive, North East, MD USA 21901  
 1-410-287-2700 Fax: 1-410-287-5222 info@compositesusa.com