

# Composites USA, Inc. - Fitting Standards

Fitting Style No.: **SS-138**  
 Order as Fitting: **SS-138**

-"D"

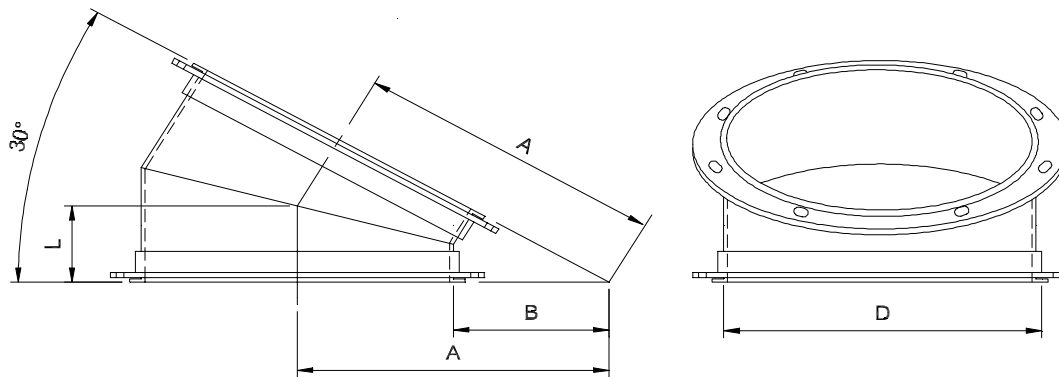
Material: **Pure Guard SS**

- Options:
- Stainless bolt set
  - Stainless Flange Rings
  - Quick Clamps (Avail. <= 18")



**Project Specifications:** Standard Design & Materials, -6" w.c.  
 Ships standard with A-36 steel rings, SS rings >48" diameter, one plated bolt set and gasket

## 30° 2-GORE MITERED S.R. ELBOW



Diameter "D"		Face-Center "L"		Throat Radius "B"			Diameter "D"		Face-Center "L"		Throat Radius "B"	
inches	mm	inches	mm	inches	mm		inches	mm	inches	mm	inches	mm
4	102	1.07	27	2	51		48	1219	12.86	327	24	610
6	152	1.61	41	3	76		50	1270	13.40	340	25	635
8	203	2.14	54	4	102		52	1321	13.94	354	26	660
10	254	2.68	68	5	127		54	1372	14.47	368	27	686
12	305	3.22	82	6	152		56	1422	15.01	381	28	711
14	356	3.75	95	7	178		58	1473	15.54	395	29	737
16	406	4.29	109	8	203		60	1524	16.08	408	30	762
18	457	4.82	123	9	229		62	1575	16.62	422	31	787
20	508	5.36	136	10	254		64	1626	17.15	436	32	813
22	559	5.90	150	11	279		66	1676	17.69	449	33	838
24	610	6.43	163	12	305		68	1727	18.22	463	34	864
26	660	6.97	177	13	330		72	1829	19.30	490	36	914
28	711	7.50	191	14	356		78	1981	20.90	531	39	991
30	762	8.04	204	15	381		84	2134	22.51	572	42	1067
32	813	8.58	218	16	406		90	2286	24.12	613	45	1143
34	864	9.11	231	17	432		96	2438	25.73	653	48	1219
36	914	9.65	245	18	457		102	2591	27.34	694	51	1295
38	965	10.18	259	19	483		108	2743	28.94	735	54	1372
40	1016	10.72	272	20	508		114	2896	30.55	776	57	1448
42	1067	11.26	286	21	533		120	3048	32.16	817	60	1524
44	1118	11.79	300	22	559		126	3200	33.77	858	63	1600
46	1168	12.33	313	23	584		132	3353	35.38	899	66	1676

Composites USA

One Peninsula Drive, North East, MD USA 21901

1-410-287-2700 Fax: 1-410-287-5222 info@compositesusa.com