

Composites USA, Inc. - Fitting Standards

Fitting Style No.: SS-140
Order as Fitting: SS-140

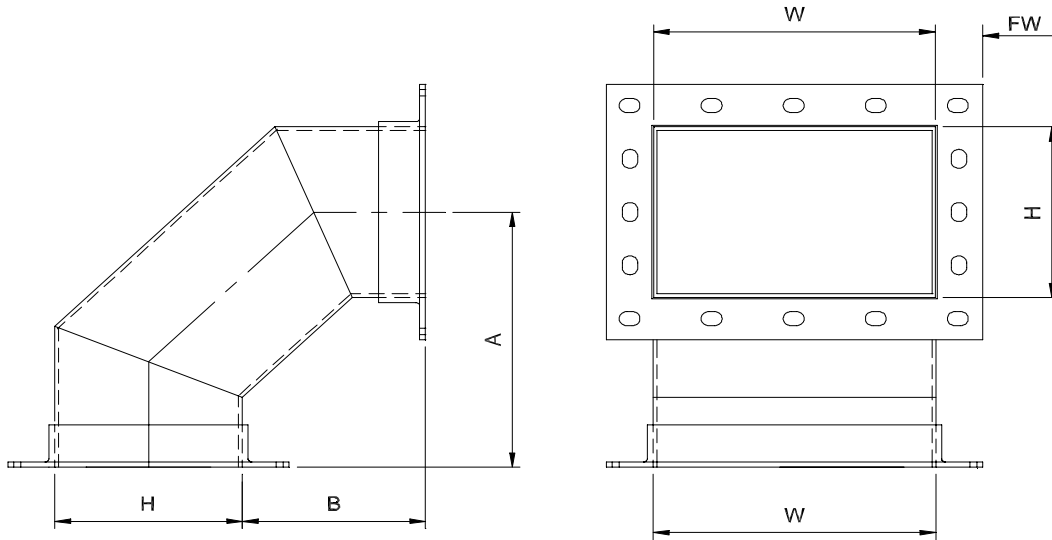
-"W"x"H"

Material: Pure Guard SS
Options: Stainless bolt set



Project Specifications: Standard Design & Materials, -6" w.c.
 Ships standard with stainless steel flanges, one plated bolt set and gasket

90° 3-GORE EASY BEND RECTANGULAR ELBOW



Width, "W"		Height, "H"		Face-C/L, "A"		Throat	Width, "W"		Height, "H"		Face-C/L, "A"		Throat
inches	mm	inches	mm	inches	mm	inches	inches	mm	inches	mm	inches	mm	inches
4	102	< "W"	< "W"	1.5 x "H"	1.5 x "H"	"H"	48	1219	< "W"	< "W"	1.5 x "H"	1.5 x "H"	"H"
6	152	"	"	"	"	"	50	1270	"	"	"	"	"
8	203	"	"	"	"	"	52	1321	"	"	"	"	"
10	254	"	"	"	"	"	54	1372	"	"	"	"	"
12	305	"	"	"	"	"	56	1422	"	"	"	"	"
14	356	"	"	"	"	"	58	1473	"	"	"	"	"
16	406	"	"	"	"	"	60	1524	"	"	"	"	"
18	457	"	"	"	"	"	62	1575	"	"	"	"	"
20	508	"	"	"	"	"	64	1626	"	"	"	"	"
22	559	"	"	"	"	"	66	1676	"	"	"	"	"
24	610	"	"	"	"	"	68	1727	"	"	"	"	"
26	660	"	"	"	"	"	72	1829	"	"	"	"	"
28	711	"	"	"	"	"	78	1981	"	"	"	"	"
30	762	"	"	"	"	"	84	2134	"	"	"	"	"
32	813	"	"	"	"	"	90	2286	"	"	"	"	"
34	864	"	"	"	"	"	96	2438	"	"	"	"	"
36	914	"	"	"	"	"	102	2591	"	"	"	"	"
38	965	"	"	"	"	"	108	2743	"	"	"	"	"
40	1016	"	"	"	"	"	114	2896	"	"	"	"	"
42	1067	"	"	"	"	"	120	3048	"	"	"	"	"
44	1118	"	"	"	"	"	126	3200	"	"	"	"	"
46	1168	"	"	"	"	"	132	3353	"	"	"	"	"