

# Composites USA, Inc. - Fitting Standards

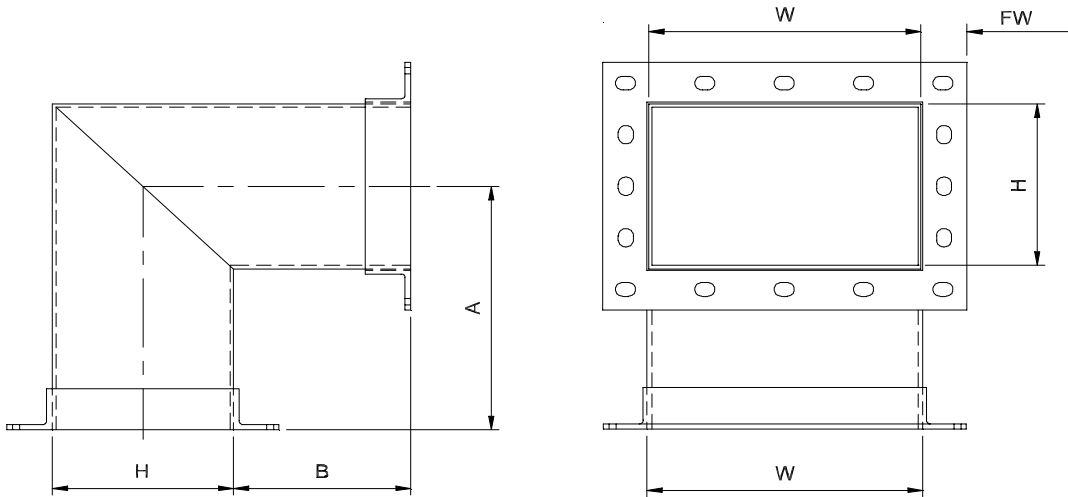
Fitting Style No.: SS-147  
 Order as Fitting: SS-147    -"W"x"H"

Material: Pure Guard SS  
 Options:  Stainless bolt set



**Project Specifications:** Standard Design & Materials, -6" w.c.  
 Ships standard with stainless steel flanges, one plated bolt set and gasket

## 90° 2-GORE EASY BEND RECTANGULAR ELBOW



| Width, "W" |      | Height, "H" |      | Face-C/L, "A" |          | Throat | Width, "W" |      | Height, "H" |      | Face-C/L, "A" |          | Throat |
|------------|------|-------------|------|---------------|----------|--------|------------|------|-------------|------|---------------|----------|--------|
| inches     | mm   | inches      | mm   | inches        | mm       | inches | inches     | mm   | inches      | mm   | inches        | mm       | inches |
| 4          | 102  | >"W"        | >"W" | "H"+6         | "H"+15.2 | 6      | 48         | 1219 | >"W"        | >"W" | "H"+6         | "H"+15.2 | 6      |
| 6          | 152  | "           | "    | "             | "        | "      | 50         | 1270 | "           | "    | "             | "        | "      |
| 8          | 203  | "           | "    | "             | "        | "      | 52         | 1321 | "           | "    | "             | "        | "      |
| 10         | 254  | "           | "    | "             | "        | "      | 54         | 1372 | "           | "    | "             | "        | "      |
| 12         | 305  | "           | "    | "             | "        | "      | 56         | 1422 | "           | "    | "             | "        | "      |
| 14         | 356  | "           | "    | "             | "        | "      | 58         | 1473 | "           | "    | "             | "        | "      |
| 16         | 406  | "           | "    | "             | "        | "      | 60         | 1524 | "           | "    | "             | "        | "      |
| 18         | 457  | "           | "    | "             | "        | "      | 62         | 1575 | "           | "    | "             | "        | "      |
| 20         | 508  | "           | "    | "             | "        | "      | 64         | 1626 | "           | "    | "             | "        | "      |
| 22         | 559  | "           | "    | "             | "        | "      | 66         | 1676 | "           | "    | "             | "        | "      |
| 24         | 610  | "           | "    | "             | "        | "      | 68         | 1727 | "           | "    | "             | "        | "      |
| 26         | 660  | "           | "    | "             | "        | "      | 72         | 1829 | "           | "    | "             | "        | "      |
| 28         | 711  | "           | "    | "             | "        | "      | 78         | 1981 | "           | "    | "             | "        | "      |
| 30         | 762  | "           | "    | "             | "        | "      | 84         | 2134 | "           | "    | "             | "        | "      |
| 32         | 813  | "           | "    | "             | "        | "      | 90         | 2286 | "           | "    | "             | "        | "      |
| 34         | 864  | "           | "    | "             | "        | "      | 96         | 2438 | "           | "    | "             | "        | "      |
| 36         | 914  | "           | "    | "             | "        | "      | 102        | 2591 | "           | "    | "             | "        | "      |
| 38         | 965  | "           | "    | "             | "        | "      | 108        | 2743 | "           | "    | "             | "        | "      |
| 40         | 1016 | "           | "    | "             | "        | "      | 114        | 2896 | "           | "    | "             | "        | "      |
| 42         | 1067 | "           | "    | "             | "        | "      | 120        | 3048 | "           | "    | "             | "        | "      |
| 44         | 1118 | "           | "    | "             | "        | "      | 126        | 3200 | "           | "    | "             | "        | "      |
| 46         | 1168 | "           | "    | "             | "        | "      | 132        | 3353 | "           | "    | "             | "        | "      |

Composites USA

One Peninsula Drive, North East, MD USA 21901  
 1-410-287-2700 Fax: 1-410-287-5222 info@compositesusa.com