

Composites USA, Inc. - Fitting Standards

Fitting Style No.: SS-155

Material: Pure Guard SS



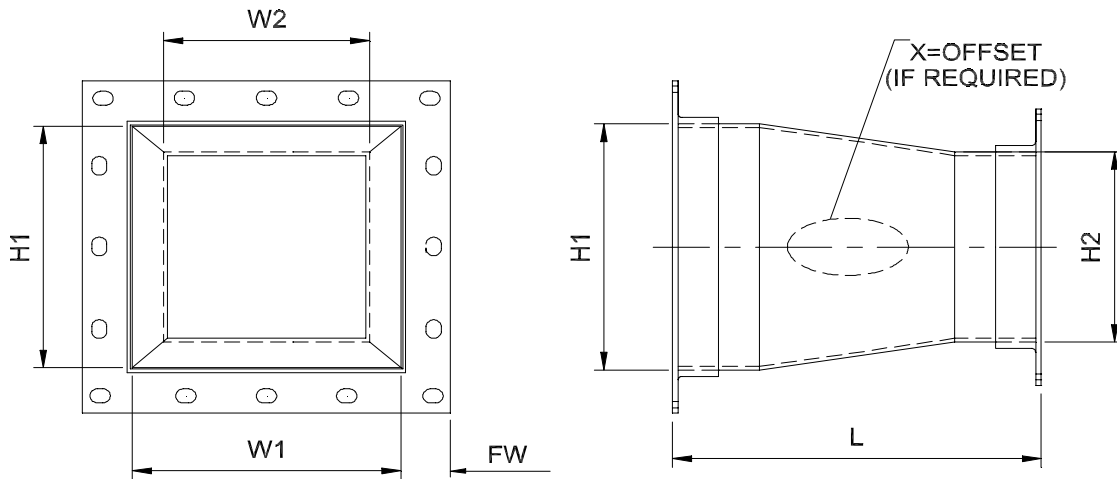
Order as Fitting:

Options: Stainless bolt set

SS-155 -"W₁"x"H₁" : "W₂"x"H₂"-"L"-"X"

Project Specifications: Standard Design & Materials, -6" w.c.
Ships standard with SS rectangular flange, plated bolts and gaskets for both ends

RECTANGULAR REDUCER



W1	H1	W2	H2	Length L	Offset X		W1	H1	W2	H2	Length L	Offset X
inches	inches	inches	inches	inches	inches		inches	inches	inches	inches	inches	inches
4	Specify	Specify	Specify	Specify	Specify		48	Specify	Specify	Specify	Specify	Specify
6	"	"	"	"	"		50	"	"	"	"	"
8	"	"	"	"	"		52	"	"	"	"	"
10	"	"	"	"	"		54	"	"	"	"	"
12	"	"	"	"	"		56	"	"	"	"	"
14	"	"	"	"	"		58	"	"	"	"	"
16	"	"	"	"	"		60	"	"	"	"	"
18	"	"	"	"	"		62	"	"	"	"	"
20	"	"	"	"	"		64	"	"	"	"	"
22	"	"	"	"	"		66	"	"	"	"	"
24	"	"	"	"	"		68	"	"	"	"	"
26	"	"	"	"	"		72	"	"	"	"	"
28	"	"	"	"	"		78	"	"	"	"	"
30	"	"	"	"	"		84	"	"	"	"	"
32	"	"	"	"	"		90	"	"	"	"	"
34	"	"	"	"	"		96	"	"	"	"	"
36	"	"	"	"	"		102	"	"	"	"	"
38	"	"	"	"	"		108	"	"	"	"	"
40	"	"	"	"	"		114	"	"	"	"	"
42	"	"	"	"	"		120	"	"	"	"	"
44	"	"	"	"	"		126	"	"	"	"	"
46	"	"	"	"	"		132	"	"	"	"	"