

Composites USA, Inc. - Fitting Standards

Fitting Style No.: SS-160-11

Material: Pure Guard SS

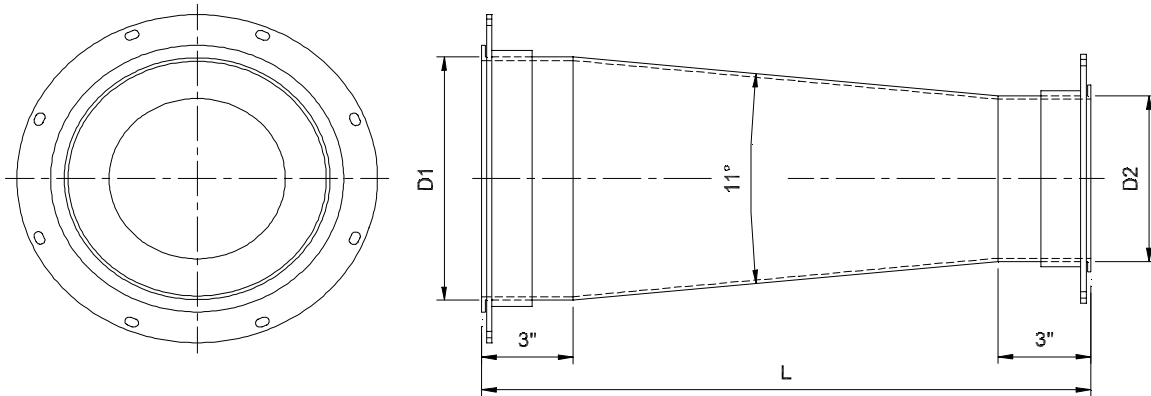


Order as Fitting: SS-160-11 -"D₁" - "D₂"

- Options:**
- Stainless bolt set
 - Stainless Flange Rings
 - Quick Clamps (Avail. <= 18")
 - Custom Length

Project Specifications: Standard Design & Materials, -6" w.c.
 Ships standard with A-36 steel rings, SS rings >48" diameter, one plated bolt set and gasket

11° (5:1) CONCENTRIC REDUCER



Diameter "D ₁ "		Diameter "D ₂ "		Length, L			Diameter "D ₁ "		Diameter "D ₂ "		Length, L	
inches	mm	inches	mm	inches	mm		inches	mm	inches	mm	inches	mm
3	76	2	51	4.14	105		44	1118	<D ₁	<D ₁	5 X (D ₁ - D ₂) +6 in.	
4	102	2	51	8.14	207		46	1168	"	"	"	"
4	102	3	76	4.14	105		48	1219	"	"	"	"
6	152	<D ₁	<D ₁	5 X (D ₁ - D ₂) +6 in.			50	1270	"	"	"	"
8	203	"	"	"	"		52	1321	"	"	"	"
10	254	"	"	"	"		54	1372	"	"	"	"
12	305	"	"	"	"		56	1422	"	"	"	"
14	356	"	"	"	"		58	1473	"	"	"	"
16	406	"	"	"	"		60	1524	"	"	"	"
18	457	"	"	"	"		62	1575	"	"	"	"
20	508	"	"	"	"		64	1626	"	"	"	"
22	559	"	"	"	"		66	1676	"	"	"	"
24	610	"	"	"	"		68	1727	"	"	"	"
26	660	"	"	"	"		70	1778	"	"	"	"
28	711	"	"	"	"		72	1829	"	"	"	"
30	762	"	"	"	"		78	1981	"	"	"	"
32	813	"	"	"	"		84	2134	"	"	"	"
34	864	"	"	"	"		90	2286	"	"	"	"
36	914	"	"	"	"		96	2438	"	"	"	"
38	965	"	"	"	"		108	2743	"	"	"	"
40	1016	"	"	"	"		120	3048	"	"	"	"
42	1067	"	"	"	"		132	3353	"	"	"	"

Composites USA

One Peninsula Drive, North East, MD USA 21901

1-410-287-2700 Fax: 1-410-287-5222 info@compositesusa.com