

Composites USA, Inc. - Fitting Standards

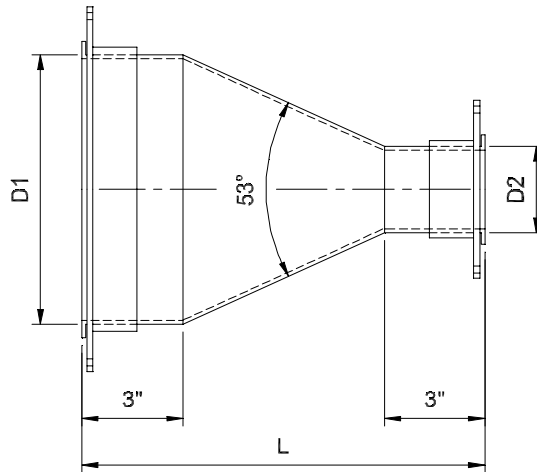
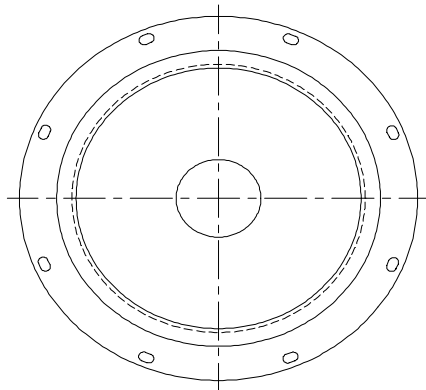
Fitting Style No.: SS-160-53
Order as Fitting: SS-160-53 "-D₁" - "D₂"

Material: Pure Guard SS
Options: Stainless bolt set
 Stainless Flange Rings
 Quick Clamps (Avail. <= 18")
 Custom Length



Project Specifications: Standard Design & Materials, -6" w.c. Ships standard with A-36 steel rings, SS rings >48" diameter, one plated bolt set and gasket

53° (1:1) CONCENTRIC REDUCER



Diameter "D ₁ "		Diameter "D ₂ "		Length, L		Diameter "D ₁ "		Diameter "D ₂ "		Length, L	
inches	mm	inches	mm	inches	mm	inches	mm	inches	mm	inches	mm
6	152	4	102	8.0	203	50	1270	<D ₁	<D ₁	1.0 X (D ₁ - D ₂)+6 in.	
8	203	<D ₁ and >4"		1.0 X (D ₁ - D ₂)+6 in.		52	1321	"	"	"	"
10	254	"	"	"	"	54	1372	"	"	"	"
12	305	"	"	"	"	56	1422	"	"	"	"
14	356	"	"	"	"	58	1473	"	"	"	"
16	406	"	"	"	"	60	1524	"	"	"	"
18	457	"	"	"	"	62	1575	"	"	"	"
20	508	"	"	"	"	64	1626	"	"	"	"
22	559	"	"	"	"	66	1676	"	"	"	"
24	610	"	"	"	"	68	1727	"	"	"	"
26	660	"	"	"	"	70	1778	"	"	"	"
28	711	"	"	"	"	72	1829	"	"	"	"
30	762	"	"	"	"	74	1880	"	"	"	"
32	813	"	"	"	"	76	1930	"	"	"	"
34	864	"	"	"	"	78	1981	"	"	"	"
36	914	"	"	"	"	80	2032	"	"	"	"
38	965	"	"	"	"	82	2083	"	"	"	"
40	1016	"	"	"	"	84	2134	"	"	"	"
42	1067	"	"	"	"	86	2184	"	"	"	"
44	1118	"	"	"	"	88	2235	"	"	"	"
46	1168	"	"	"	"	90	2286	"	"	"	"
48	1219	"	"	"	"	96	2438	"	"	"	"