

Composites USA, Inc. - Fitting Standards

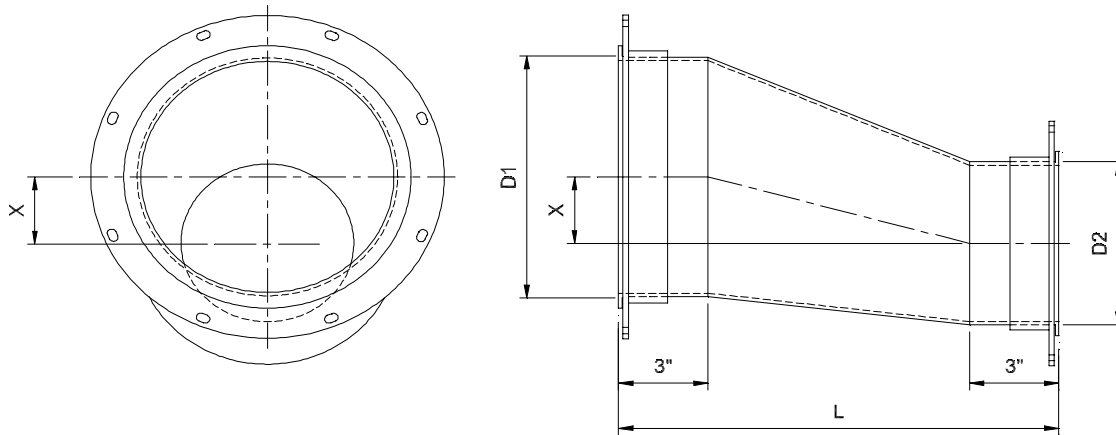
Fitting Style No.: SS-169
Order as Fitting: SS-169 -"D":-"W"x"H"-L"

Material: Pure Guard SS
Options: Stainless bolt set
 Stainless Flange Rings
 Quick Clamps (Avail. <= 18" diam.)



Project Specifications: Standard Design & Materials, -6" w.c.
 Ships standard with A-36 steel round rings, SS rings >48" diameter, plated bolt sets and gaskets for both ends

OFFSET REDUCER



Diameter "D ₁ "		Diameter "D ₂ "		Length, L	Offset, X	Diameter "D ₁ "		Diameter "D ₂ "		Length, L	Offset, X
inches	mm	inches	mm	inches	inches	inches	mm	inches	mm	inches	inches
6	152	4	102	Specify	Specify	50	1270	Specify	Specify	Specify	Specify
8	203	Specify	Specify	Specify	Specify	52	1321	"	"	"	"
10	254	"	"	"	"	54	1372	"	"	"	"
12	305	"	"	"	"	56	1422	"	"	"	"
14	356	"	"	"	"	58	1473	"	"	"	"
16	406	"	"	"	"	60	1524	"	"	"	"
18	457	"	"	"	"	62	1575	"	"	"	"
20	508	"	"	"	"	64	1626	"	"	"	"
22	559	"	"	"	"	66	1676	"	"	"	"
24	610	"	"	"	"	68	1727	"	"	"	"
26	660	"	"	"	"	70	1778	"	"	"	"
28	711	"	"	"	"	72	1829	"	"	"	"
30	762	"	"	"	"	78	1981	"	"	"	"
32	813	"	"	"	"	84	2134	"	"	"	"
34	864	"	"	"	"	90	2286	"	"	"	"
36	914	"	"	"	"	96	2438	"	"	"	"
38	965	"	"	"	"	102	2591	"	"	"	"
40	1016	"	"	"	"	108	2743	"	"	"	"
42	1067	"	"	"	"	114	2896	"	"	"	"
44	1118	"	"	"	"	120	3048	"	"	"	"
46	1168	"	"	"	"	126	3200	"	"	"	"
48	1219	"	"	"	"	132	3353	"	"	"	"