

# Composites USA, Inc. - Fitting Standards

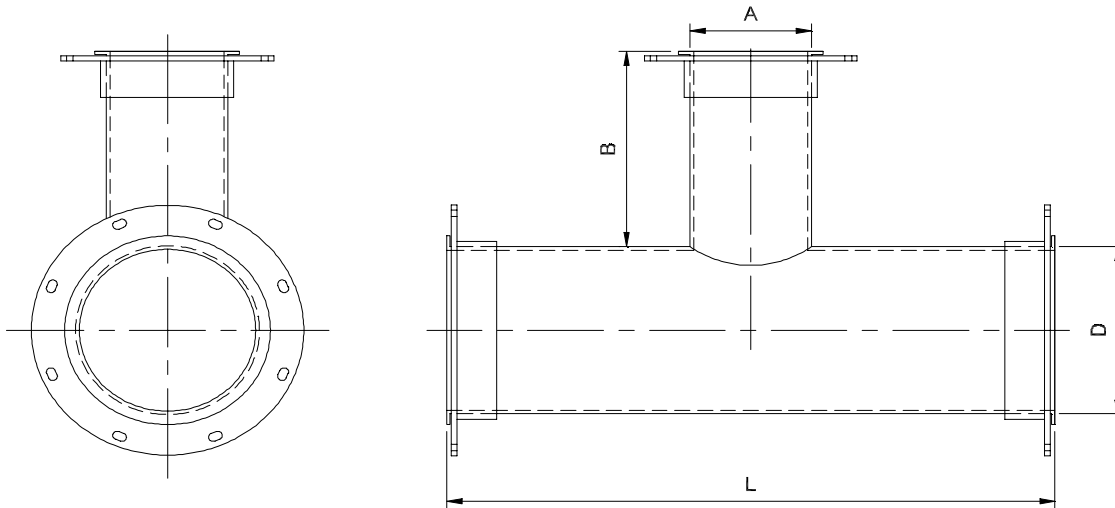
**Fitting Style No.:** SS-172  
**Order as Fitting:** SS-172    "-D" - "A"

**Material:** Pure Guard SS  
**Options:**  Stainless bolt set  
 Stainless Flange Rings  
 Quick Clamps (Avail. <= 18")



**Project Specifications:** Standard Design & Materials, -6" w.c.  
 Ships standard with quick clamps and gaskets for all ends = 2" & 3" diameter  
 Ships standard with A-36 steel rings >3", SS rings >48" diameter, one plated bolt set and gasket

## 90° REDUCING TEE



Diameter "D"		Branch "A"		Length, "L"		Stand -	Diameter "D"		Branch "A"		Length, "L"		Stand -
inches	mm	inches	mm	inches	mm	Off "B"	inches	mm	inches	mm	inches	mm	Off "B"
3	76	2	51	3.39	86	3.57	44	1118	< or = to D		"A" +12 inches		4
4	102	2	51	4.01	102	4.07	46	1168	"	"	"	"	"
4	102	3	76	4.01	102	3.82	48	1219	"	"	"	"	"
6	152	< or = to D		"A" +12 inches		6 inches	50	1270	"	"	"	"	"
8	203	"	"	"	"	"	52	1321	"	"	"	"	"
10	254	"	"	"	"	"	54	1372	"	"	"	"	"
12	305	"	"	"	"	"	56	1422	"	"	"	"	"
14	356	"	"	"	"	"	58	1473	"	"	"	"	"
16	406	"	"	"	"	"	60	1524	"	"	"	"	"
18	457	"	"	"	"	"	62	1575	"	"	"	"	"
20	508	"	"	"	"	"	64	1626	"	"	"	"	"
22	559	"	"	"	"	"	68	1727	"	"	"	"	"
24	610	"	"	"	"	"	74	1880	"	"	"	"	"
26	660	"	"	"	"	"	80	2032	"	"	"	"	"
28	711	"	"	"	"	"	86	2184	"	"	"	"	"
30	762	"	"	"	"	"	92	2337	"	"	"	"	"
32	813	"	"	"	"	"	98	2489	"	"	"	"	"
34	864	"	"	"	"	"	104	2642	"	"	"	"	"
36	914	"	"	"	"	"	110	2794	"	"	"	"	"
38	965	"	"	"	"	"	116	2946	"	"	"	"	"
40	1016	"	"	"	"	"	122	3099	"	"	"	"	"
42	1067	"	"	"	"	"	128	3251	"	"	"	"	"

Composites USA

One Peninsula Drive, North East, MD USA 21901  
 1-410-287-2700 Fax: 1-410-287-5222 info@compositesusa.com