

# Composites USA, Inc. - Fitting Standards

**Fitting Style No.:** SS-172-T

**Material:** Pure Guard SS



**Order as Fitting:** SS-172-T - "A" onto "D"

**Options:**  Stainless bolt set

This fitting is ordered in conjunction with duct ordered seperately

Stainless Flange Rings

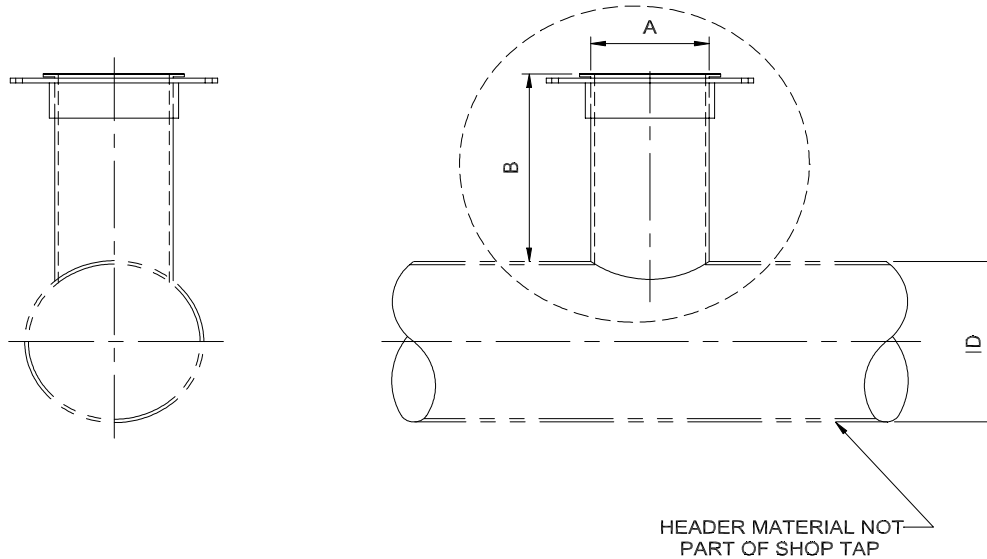
Quick Clamps (Avail. <math>\leq 18''</math>)

**Project Specifications:** Standard Design & Materials, -6" w.c.

2" & 3" branch connections ship standard with 2" stand-offs, quick clamps and gasket

Ships standard with A-36 steel rings >3", SS rings >48" diameter, one plated bolt set and gasket

## 90° SHOP INSTALLED STRAIGHT TAP



Diameter "D"		Branch "A"		Length, "L"		Stand -	Diameter "D"		Branch "A"		Length, "L"		Stand -
inches	mm	inches	mm	inches	mm	Off "B"	inches	mm	inches	mm	inches	mm	Off "B"
2	51	2"		> / = "A" +12 inches		2	44	1118	"A" < / = "D"		> / = "A" +12 inches		6 inches
3	76	"A" < / = "D"		"	"	2	46	1168	"	"	"	"	"
4	102	"	"	"	"	6 inches	48	1219	"	"	"	"	"
6	152	"	"	"	"	"	50	1270	"	"	"	"	"
8	203	"	"	"	"	"	52	1321	"	"	"	"	"
10	254	"	"	"	"	"	54	1372	"	"	"	"	"
12	305	"	"	"	"	"	56	1422	"	"	"	"	"
14	356	"	"	"	"	"	58	1473	"	"	"	"	"
16	406	"	"	"	"	"	60	1524	"	"	"	"	"
18	457	"	"	"	"	"	62	1575	"	"	"	"	"
20	508	"	"	"	"	"	64	1626	"	"	"	"	"
22	559	"	"	"	"	"	66	1676	"	"	"	"	"
24	610	"	"	"	"	"	72	1829	"	"	"	"	"
26	660	"	"	"	"	"	78	1981	"	"	"	"	"
28	711	"	"	"	"	"	84	2134	"	"	"	"	"
30	762	"	"	"	"	"	90	2286	"	"	"	"	"
32	813	"	"	"	"	"	96	2438	"	"	"	"	"
34	864	"	"	"	"	"	102	2591	"	"	"	"	"
36	914	"	"	"	"	"	108	2743	"	"	"	"	"
38	965	"	"	"	"	"	114	2896	"	"	"	"	"
40	1016	"	"	"	"	"	120	3048	"	"	"	"	"
42	1067	"	"	"	"	"	126	3200	"	"	"	"	"

Composites USA

One Peninsula Drive, North East, MD USA 12901

1-410-287-2700 Fax; 1-410-287-5222 info@compositesusa.com