

Composites USA, Inc. - Fitting Standards

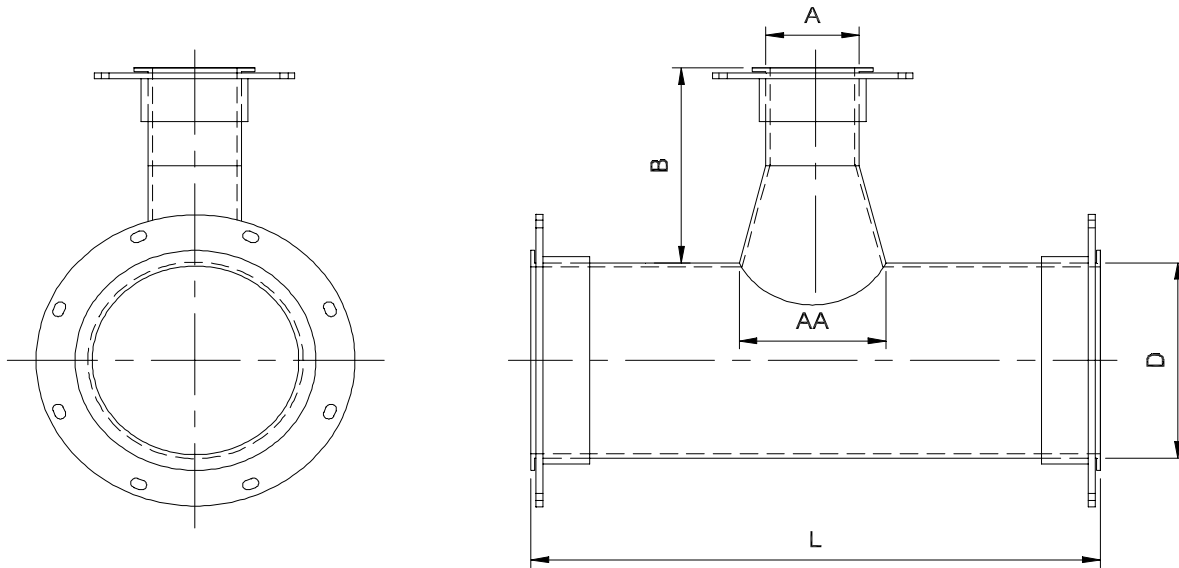
Fitting Style No.: SS-175
Order as Fitting: SS-175 - "D" - "A"

Material: Pure Guard SS
Options: Stainless bolt set
 Stainless Flange Rings
 Quick Clamps (Avail. <= 18")



Project Specifications: Standard Design & Materials, -6" w.c.
 Ships standard with A-36 steel rings, SS rings >48" diameter, one plated bolt set and gasket

90° CONCENTRIC CONICAL TEE



Diameter (Main) "D"		Branch A	Hole Size AA	Length L	Stand Off B		Diameter (Main) "D"		Branch A	Hole Size AA	Length L	Stand Off B
inches	mm	inches	inches	inches	inches		inches	mm	inches	inches	inches	inches
4	102	Specify	A + 4.85	A + 16	6		48	1219	Specify	A + 4.85	A + 16	12
6	152	"	Space	"	12		50	1270	"	"	"	"
8	203	"	Allowed	"	"		52	1321	"	"	"	"
10	254	"	"	"	"		54	1372	"	"	"	"
12	305	"	"	"	"		56	1422	"	"	"	"
14	356	"	"	"	"		58	1473	"	"	"	"
16	406	"	"	"	"		60	1524	"	"	"	"
18	457	"	"	"	"		62	1575	"	"	"	"
20	508	"	"	"	"		64	1626	"	"	"	"
22	559	"	"	"	"		66	1676	"	"	"	"
24	610	"	"	"	"		68	1727	"	"	"	"
26	660	"	"	"	"		72	1829	"	"	"	"
28	711	"	"	"	"		78	1981	"	"	"	"
30	762	"	"	"	"		84	2134	"	"	"	"
32	813	"	"	"	"		90	2286	"	"	"	"
34	864	"	"	"	"		96	2438	"	"	"	"
36	914	"	"	"	"		102	2591	"	"	"	"
38	965	"	"	"	"		108	2743	"	"	"	"
40	1016	"	"	"	"		114	2896	"	"	"	"
42	1067	"	"	"	"		120	3048	"	"	"	"
44	1118	"	"	"	"		126	3200	"	"	"	"
46	1168	"	"	"	"		132	3353	"	"	"	"