

Composites USA, Inc. - Fitting Standards

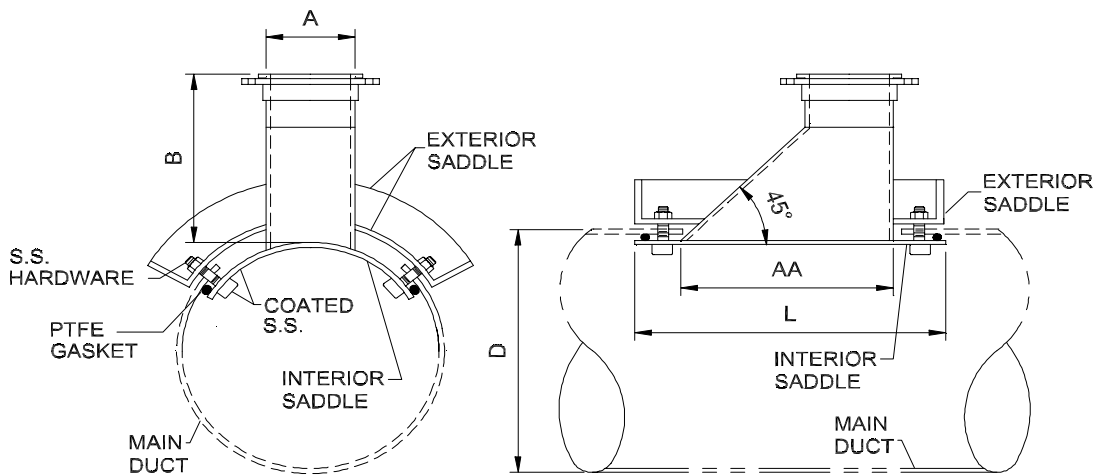
Fitting Style No.: SS-177-FT
Order as Fitting: SS-177-FT - "D" - "A"

Material: Pure Guard SS
Options: Stainless bolt set
 Stainless Flange Rings
 Quick Clamps (Avail. <= 18")



Project Specifications: Standard Design & Materials, -6" w.c.
 Ships standard with A-36 steel rings, SS rings >48" diameter, one plated bolt set and gasket

FIELD INSTALLED SHOE SADDLE TAP AT 90°



Diameter		Branch	Hole Size	Length	Stand Off		Diameter		Branch	Hole Size	Length	Stand Off
(Main) "D"		A	AA	L	B		(Main) "D"		A	AA	L	B
inches	mm	inches	inches	inches	inches		inches	mm	inches	inches	inches	inches
8	203	4	10	16	6		36	914	Specify	A + 6	A + 12	12
10	254	Specify at	A + 6	A + 12	6		38	965	Max "D"-8"	"	"	"
12	305	Max "D"-4"	"	"	"		40	1016	"	"	"	"
14	356	"	"	"	"		42	1067	"	"	"	"
16	406	"	"	"	"		44	1118	"	"	"	"
18	457	"	"	"	"		46	1168	"	"	"	"
20	508	"	"	"	"		48	1219	"	"	"	"
22	559	"	"	"	"		50	1270	"	"	"	"
24	610	"	"	"	"		52	1321	"	"	"	"
26	660	"	"	"	"		54	1372	"	"	"	"
28	711	"	"	"	"		56	1422	"	"	"	"
30	762	"	"	"	"		58	1473	"	"	"	"
32	813	"	"	"	"		60	1524	"	"	"	"
34	864	"	"	"	"		62	1575	"	"	"	"