

# Composites USA, Inc. - Fitting Standards

**Fitting Style No.:** SS-177-T

**Material:** Pure Guard SS



**Order as Fitting:** SS-177-T - "A" onto "D"

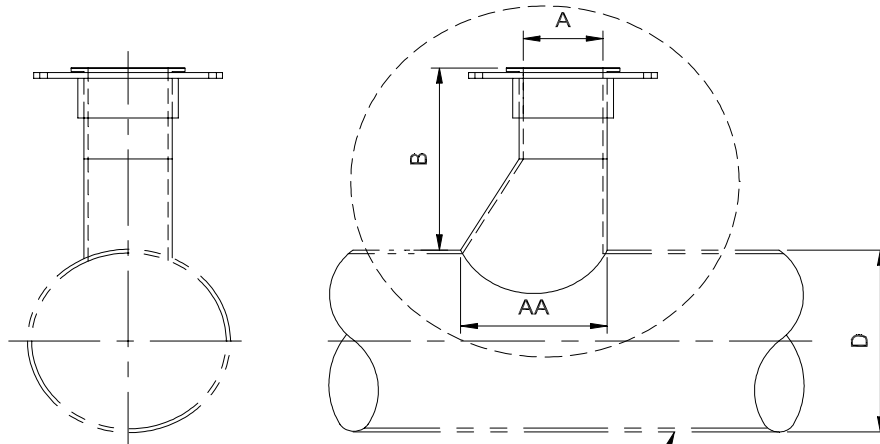
- Options:**
- Stainless bolt set
  - Stainless Flange Rings
  - Quick Clamps (Avail.  $\leq 18"$ )

This fitting is ordered in conjunction with duct ordered separately

**Project Specifications:** Standard Design & Materials, -6" w.c.

Ships standard with A-36 steel rings  $>3"$ , SS rings  $>48"$  diameter, one plated bolt set and gasket

## 90° SHOP INSTALLED SHOE TAP



HEADER MATERIAL NOT  
PART OF SHOP TAP

Diameter		Branch	Hole Size	Length	Stand Off	Diameter		Branch	Hole Size	Length	Stand Off	
(Main) "D"		A	AA	L	B	(Main) "D"		A	AA	L	B	
inches	mm	inches	inches	inches	inches	inches	mm	inches	inches	inches	inches	
4	102	4	10	minimum	12	48	1219	Specify "D" > "A" >= 4"	A + 6	minimum	12	
6	152	Specify "D" > "A" >= 4"	A + 6	A + 18	"	50	1270		"	A + 18	"	"
8	203		"	"	"	52	1321		"	"	"	"
10	254		"	"	"	54	1372		"	"	"	"
12	305		"	"	"	56	1422		"	"	"	"
14	356		"	"	"	58	1473		"	"	"	"
16	406		"	"	"	60	1524	"	"	"	"	
18	457	"	"	"	"	62	1575	"	"	"	"	
20	508	"	"	"	"	64	1626	"	"	"	"	
22	559	"	"	"	"	66	1676	"	"	"	"	
24	610	"	"	"	"	68	1727	"	"	"	"	
26	660	"	"	"	"	72	1829	"	"	"	"	
28	711	"	"	"	"	78	1981	"	"	"	"	
30	762	"	"	"	"	84	2134	"	"	"	"	
32	813	"	"	"	"	90	2286	"	"	"	"	
34	864	"	"	"	"	96	2438	"	"	"	"	
36	914	"	"	"	"	102	2591	"	"	"	"	
38	965	"	"	"	"	108	2743	"	"	"	"	
40	1016	"	"	"	"	114	2896	"	"	"	"	
42	1067	"	"	"	"	120	3048	"	"	"	"	
44	1118	"	"	"	"	126	3200	"	"	"	"	
46	1168	"	"	"	"	132	3353	"	"	"	"	

**Composites USA**

One Peninsula Drive, North East, MD USA 12901

1-410-287-2700 Fax; 1-410-287-5222 info@compositesusa.com