

Composites USA, Inc. - Fitting Standards

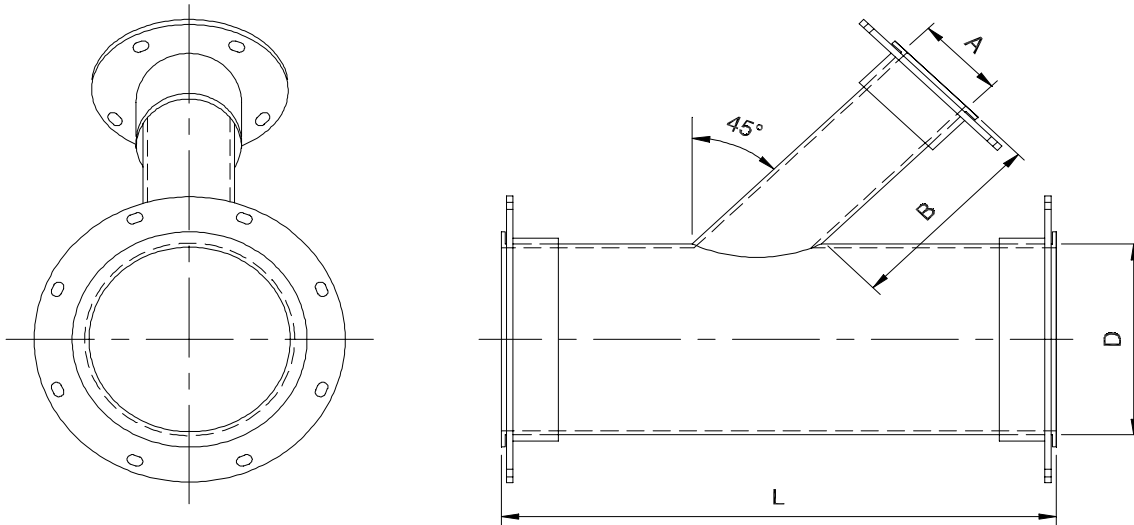
Fitting Style No.: SS-182
Order as Fitting: SS-182 -"D" - "A"

Material: Pure Guard SS
Options: Stainless bolt set
 Stainless Flange Rings
 Quick Clamps (Avail. <= 18")



Project Specifications: Standard Design & Materials, -6" w.c.
 2" & 3" branch connections ship standard with 2" stand-offs, quick clamps and gasket
 Ships standard with A-36 steel rings >3", SS rings >48" diameter, one plated bolt set and gasket

45° LATERAL TEE



Diameter "D"		Branch "A"		Length, "L"		Stand -	Diameter "D"		Branch "A"		Length, "L"		Stand -
inches	mm	inches	mm	inches	mm	Off "B"	inches	mm	inches	mm	inches	mm	Off "B"
2	51	2	51	4.64	118	2.69	44	1118	< or = to D		1.4 x "A" + 12 inches		6
3	76	3	76	8.14	207	4.07	46	1168	"	"	"	"	6
4	102	4	102	13.39	340	6.07	48	1219	"	"	"	"	6
6	152	< or = to D		1.4 x "A" + 12 inches		6	50	1270	"	"	"	"	6
8	203	"	"	"	"	6	52	1321	"	"	"	"	6
10	254	"	"	"	"	6	54	1372	"	"	"	"	6
12	305	"	"	"	"	6	56	1422	"	"	"	"	6
14	356	"	"	"	"	6	58	1473	"	"	"	"	6
16	406	"	"	"	"	6	60	1524	"	"	"	"	6
18	457	"	"	"	"	6	62	1575	"	"	"	"	6
20	508	"	"	"	"	6	64	1626	"	"	"	"	6
22	559	"	"	"	"	6	66	1676	"	"	"	"	6
24	610	"	"	"	"	6	72	1829	"	"	"	"	6
26	660	"	"	"	"	6	78	1981	"	"	"	"	6
28	711	"	"	"	"	6	84	2134	"	"	"	"	6
30	762	"	"	"	"	6	90	2286	"	"	"	"	6
32	813	"	"	"	"	6	96	2438	"	"	"	"	6
34	864	"	"	"	"	6	102	2591	"	"	"	"	6
36	914	"	"	"	"	6	108	2743	"	"	"	"	6
38	965	"	"	"	"	6	114	2896	"	"	"	"	6
40	1016	"	"	"	"	6	120	3048	"	"	"	"	6
42	1067	"	"	"	"	6	126	3200	"	"	"	"	6

Composites USA

One Peninsula Drive, North East, MD USA 21901
 1-410-287-2700 Fax: 1-410-287-5222 info@compositesusa.com