

Composites USA, Inc. - Fitting Standards

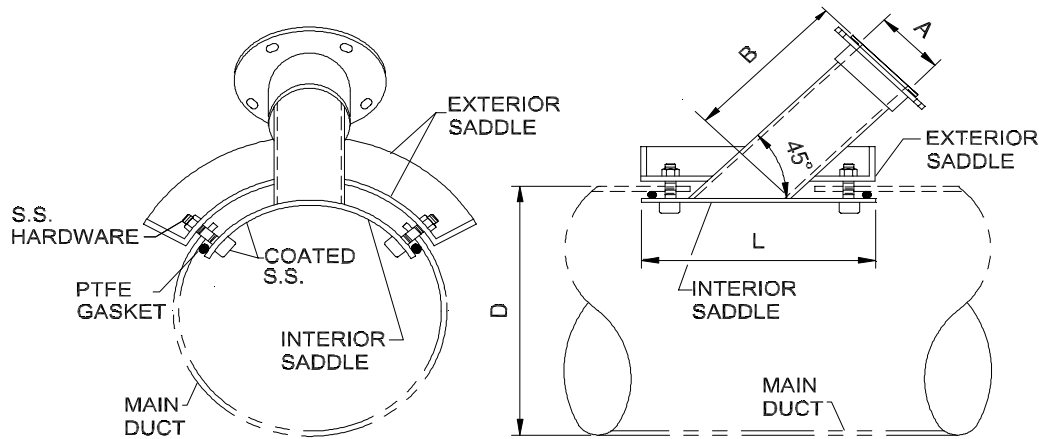
Fitting Style No.: SS-182-FT
Order as Fitting: SS-182-FT - "D" - "A"

Material: Pure Guard SS
Options: Stainless bolt set
 Stainless Flange Rings
 Quick Clamps (Avail. $\leq 18''$)



Project Specifications: Standard Design & Materials, -6" w.c.
 2" & 3" branch connections ship standard with quick clamps and gasket
 Ships standard with A-36 steel rings >3", SS rings >48" diameter, one plated bolt set and gasket

FIELD INSTALLED STRAIGHT SADDLE TAP AT 45°



Diameter		Branch	Stand Off	Length		Diameter		Branch	Stand Off	Length
(Main) "D"		A	B	L		(Main) "D"		A	B	L
inches	mm	inches	inches	inches		inches	mm	inches	inches	inches
6	152	2	6	14.8		32	813	Specify	6	1.4xA+12
6	152	3	6	16.2		34	864	"	"	"
8	203	Specify at	6.0	1.4xA+12		36	914	Max "D"-8"	"	1.4xA+16
10	254	Max "D"-4"	"	"		38	965	"	"	"
12	305	"	"	"		40	1016	"	"	"
14	356	"	"	"		42	1067	"	"	"
16	406	"	"	"		44	1118	"	"	"
18	457	"	"	"		46	1168	"	"	"
20	508	"	"	"		48	1219	"	"	"
22	559	"	"	"		50	1270	"	"	"
24	610	"	"	"		52	1321	"	"	"
26	660	"	"	"		54	1372	"	"	"
28	711	"	"	"		56	1422	"	"	"
30	762	"	"	"		58	1473	"	"	"