

Composites USA, Inc. - Fitting Standards

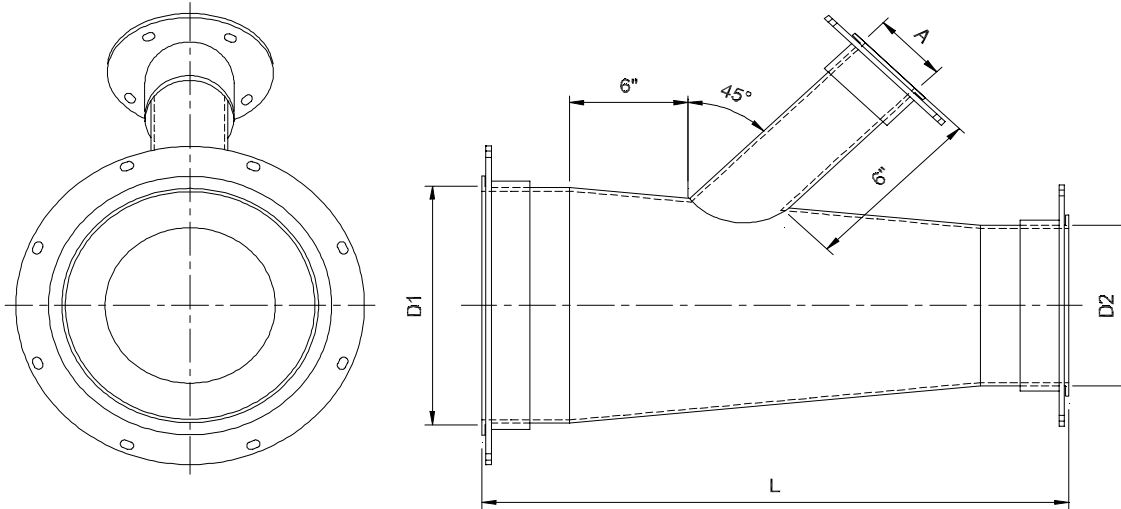
Fitting Style No.: SS-186
Order as Fitting: SS-186 -"D" - "A"

Material: Pure Guard SS
Options: Stainless bolt set
 Stainless Flange Rings
 Quick Clamps (Avail. $\leq 18"$)



Project Specifications: Standard Design & Materials, -6" w.c.
 Ships standard with A-36 steel rings, SS rings $>48"$ diameter, one plated bolt set and gasket

45° REDUCING WYE



Diameter "D ₁ "		Diameter "D ₂ "		Branch "A"		Length	Diameter "D ₁ "		Diameter "D ₂ "		Branch "A"		Length
inches	mm	inches	mm	inches	mm	inches	inches	mm	inches	mm	inches	mm	inches
6	152	4	102	4	102	$>1.4 \times A + 12$	50	1270	\leq to D ₁ , $\geq 4"$				$>1.4 \times A + 12$
8	203	\leq to D ₁ , $\geq 4"$				"	52	1321	"	"	"	"	"
10	254	"	"	"	"	"	54	1372	"	"	"	"	"
12	305	"	"	"	"	"	56	1422	"	"	"	"	"
14	356	"	"	"	"	"	58	1473	"	"	"	"	"
16	406	"	"	"	"	"	60	1524	"	"	"	"	"
18	457	"	"	"	"	"	62	1575	"	"	"	"	"
20	508	"	"	"	"	"	64	1626	"	"	"	"	"
22	559	"	"	"	"	"	66	1676	"	"	"	"	"
24	610	"	"	"	"	"	68	1727	"	"	"	"	"
26	660	"	"	"	"	"	70	1778	"	"	"	"	"
28	711	"	"	"	"	"	74	1880	"	"	"	"	"
30	762	"	"	"	"	"	80	2032	"	"	"	"	"
32	813	"	"	"	"	"	86	2184	"	"	"	"	"
34	864	"	"	"	"	"	92	2337	"	"	"	"	"
36	914	"	"	"	"	"	98	2489	"	"	"	"	"
38	965	"	"	"	"	"	104	2642	"	"	"	"	"
40	1016	"	"	"	"	"	110	2794	"	"	"	"	"
42	1067	"	"	"	"	"	116	2946	"	"	"	"	"
44	1118	"	"	"	"	"	122	3099	"	"	"	"	"
46	1168	"	"	"	"	"	128	3251	"	"	"	"	"
48	1219	"	"	"	"	"	134	3404	"	"	"	"	"