

Composites USA, Inc. - Fitting Standards

Fitting Style No.: SS-200
Order as Fitting: SS-200

- "D"

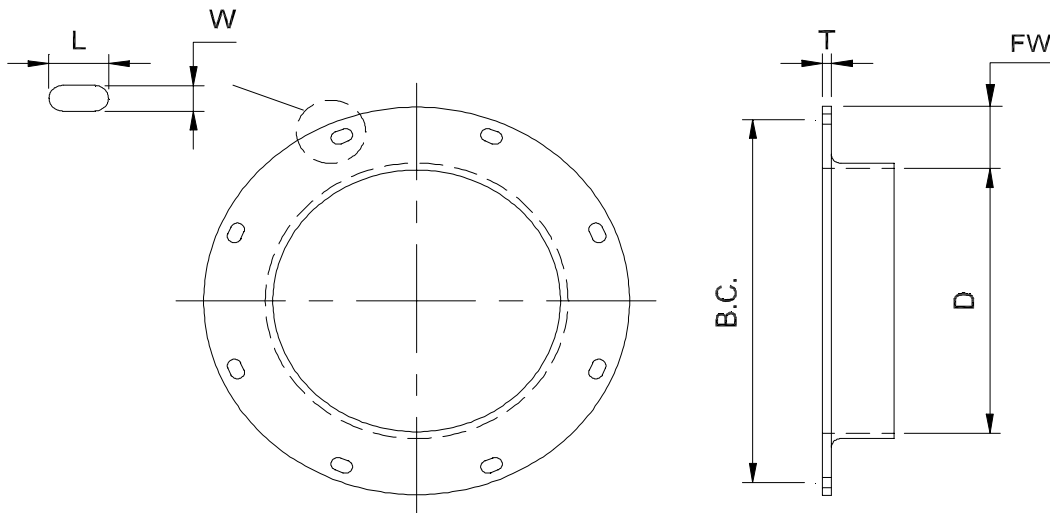
Material: Pure Guard SS

- Options:**
- Stainless bolt set
 - Stainless Flange Rings
 - Alternative Drilling Pattern



Project Specifications: Standard Design & Materials, -6" w.c.
 Ships standard with A-36 steel rings, SS rings >48" diameter, floating ring through 30" diameter

FLANGE RING



Duct Diam D	Ring FWxT	BC	No. Holes	Hole Size LxW	Bolt Size	Gasket WxT	Duct Diam D	Ring FWxT	BC	No. Holes	Hole Size LxW	Bolt Size	Gasket WxT			
inches	inches	inches	Number	inches	inches	inches	inches	inches	inches	Number	inches	inches	inches			
4	1-1/4 x 1/8	5.31	6	3/8 x 5/8 slot	5/16	3/16 x 1/8	52	2-1/2 x 3/16	54.88	48						
6		7.50	6				54		56.88	52						
8		9.50	8				56		58.88	52						
10		11.50	8				58		60.88	56						
12	1-1/2 x 3/16	13.81	12			1/4 x 1/8	60	3 x 1/4	63.38	56						
14		15.81	12				62		65.38	60						
16		17.63	16				64		67.38	60						
18		19.63	16				66		69.38	64						
20		21.63	20				68		71.38	64						
22		23.88	20				70		73.38	68						
24		25.88	20				72		75.38	68						
26		27.88	24				74		77.38	72				9/16 x 1 slot	7/16	1/4 x 3/16
28		29.88	24				76		79.38	72						
30		31.88	28				78		81.38	76				3-1/2 x 1/4		
32	33.88	28	84	87.38	80											
34	35.88	32	90	93.38	88	4 x 1/4										
36	37.88	32	96	100.38	92											
38	40.38	36	102	106.38	100	5 x 5/16										
40	42.38	36	108	112.38	104											
42	44.38	40	114	118.38	112											
44	46.38	40	120	124.38	116											
46	48.00	44	126	130.38	120											
48	50.38	44	132	136.38	124											

Composites USA

One Peninsula Drive, North East, MD USA 21901

1-410-287-2700 Fax: 1-410-287-5222 info@compositesusa.com