

Composites USA, Inc. - Fitting Standards

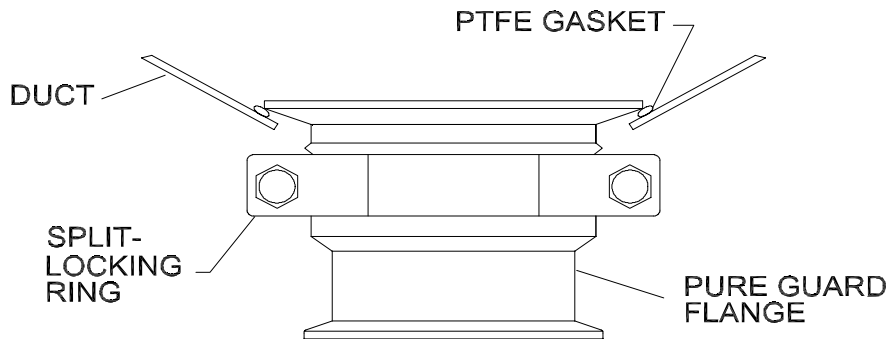
Fitting Style No.: SS-204-FT
Order as Fitting: SS-204-FT -"D"

Material: Pure Guard SS
Options:



Project Specifications: Standard Design & Materials, -6" w.c.
 Field installed bulkhead connection flange for 2" diameter, ships with bulkhead gasket

2" DIA. FIELD INSTALLED BULKHEAD FLANGE



Duct Diam D		Length L	
inches	mm	inches	mm
2	51	2	51