

Composites USA, Inc. - Fitting Standards

Fitting Style No.: SS-216

Material: Pure Guard SS

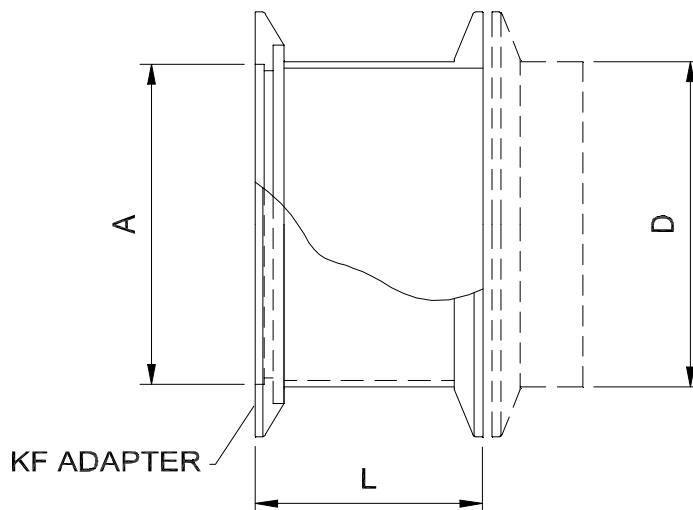


Order as Fitting: SS-216 -"D"- "A"

Options:

Project Specifications: Standard Design & Materials, -6" w.c.
Ships standard with clamp and gasket for Quick Clamp end

QUICK CLAMP TO KF ADAPTER



Clamp Diam "D"		KF Diam "A"		Length "L"	
inches	mm	inches	mm	inches	mm
2	51	1.0	25	1.25	32
2	51	1.6	40	1.25	32
2	51	2.0	50	1.25	32

Composites USA

One Peninsula Drive, North East, MD USA 21901
1-410-287-2700 Fax: 1-410-287-5222 info@compositesusa.com