

Composites USA, Inc. - Fitting Standards

Fitting Style No.: SS-217

Material: Pure Guard SS

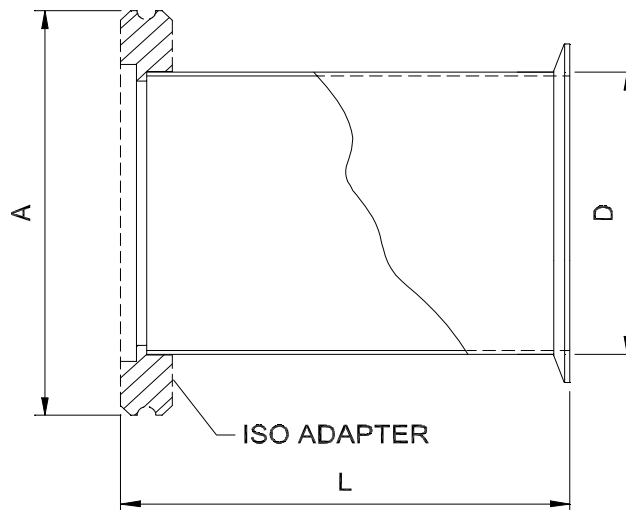


Order as Fitting: SS-217 -"D"- "A"

Options: Stainless bolt set
 Angle ring in place of Quick Clamp

Project Specifications: Standard Design & Materials, -6" w.c.
 Ships standard with clamp and gasket for Quick Clamp end

QUICK CLAMP TO ISO ADAPTER



Clamp Diam "D"		ISO Diam "A"		Length "L"	
inches	mm	inches	mm	inches	mm
3	76	3.1	80	4.00	102
4	102	3.9	100	4.00	102

Composites USA

One Peninsula Drive, North East, MD USA 21901
 1-410-287-2700 Fax: 1-410-287-5222 info@compositesusa.com