

Composites USA, Inc. - Fitting Standards

Fitting Style No.: SS-257
Order as Fitting: SS-257 -"D"

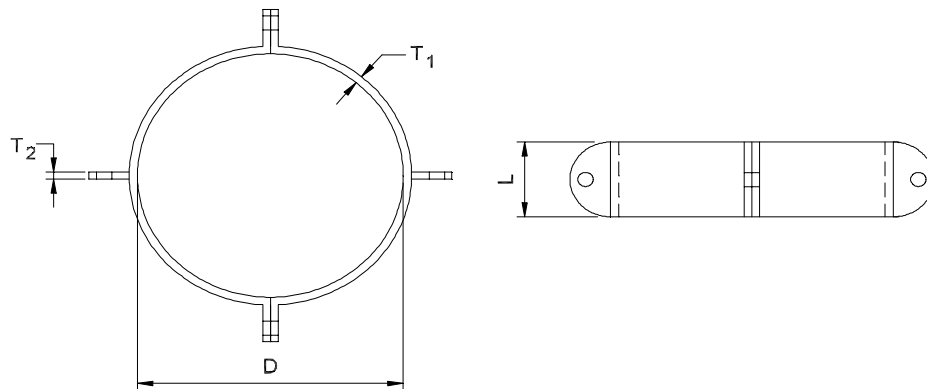
Material: Pure Guard SS
Options: Stainless bolt set
 Plated Ring
 Lugs welded to duct (lugs only/ no ring)



Project Specifications: Standard Design & Materials, -6" w.c.

Ships standard with a 2-section SS band and plated steel bolts. Minimum thickness based upon SMACNA exposure C, a 10 ft tall stack with with a clamped base and guy lug located 30% from the stack top, and 70 mph wind loads. Contact engineering as required for custom design.

GUY BAND



Diameter "D"		Length "L"		T min.	T ₂ min.		Diameter "D"		Length "L"		T min.	T ₂ min.
inches	mm	inches	mm	inches	inches		inches	mm	inches	mm	inches	inches
4	102	4	102	10 GA	10 GA		36	914	6	152	0.31	0.31
6	152	4	102	10 GA	10 GA		38	965	6	152	0.31	0.31
8	203	4	102	10 GA	10 GA		40	1016	6	152	0.38	0.38
10	254	4	102	10 GA	10 GA		42	1067	6	152	0.38	0.38
12	305	4	102	10 GA	10 GA		44	1118	6	152	0.38	0.38
14	356	6	152	10 GA	10 GA		46	1168	6	152	0.38	0.38
16	406	6	152	10 GA	10 GA		48	1219	9	229	0.38	0.38
18	457	6	152	7 GA	7 GA		50	1270	9	229	0.38	0.38
20	508	6	152	7 GA	7 GA		52	1321	9	229	0.38	0.38
22	559	6	152	7 GA	7 GA		54	1372	9	229	0.38	0.38
24	610	6	152	0.25	0.25		56	1422	9	229	0.38	0.38
26	660	6	152	0.25	0.25		60	1524	9	229	0.50	0.50
28	711	6	152	0.25	0.25		66	1676	9	229	0.50	0.50
30	762	6	152	0.25	0.25		72	1829	12	305	0.50	0.50
32	813	6	152	0.31	0.31		78	1981	12	305	0.50	0.50
34	864	6	152	0.31	0.31		84	2134	12	305	0.50	0.50
36	914	6	152	0.31	0.31		90	2286	12	305	0.56	0.56