

Composites USA, Inc. - Fitting Standards

Fitting Style No.: 275
Order as Fitting: 275

-"D"

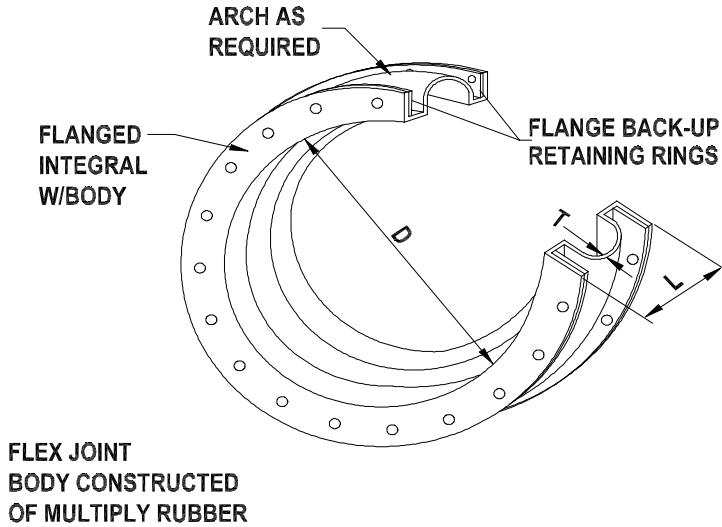
Material: Pure Guard SS

- Options:**
- Stainless bolt set
 - Viton Flex (Avail. all sizes)
 - Teflon Flex (Avail. <= 12")
 - Alternative Drilling



Project Specifications: Standard Design & Materials, -6" w.c.
 Ships standard with EPDM sleeve, 1/4" thick stainless steel back up bars, and plated steel bolts
 Bars are drilled to mate to standard style #200 flange rings

FLEX CONNECTOR-FLANGED



Diameter D		L		T			Diameter D		L		T	
inches	mm	inches	mm	inches	mm		inches	mm	inches	mm	inches	mm
4	102	6	152	0.125	3		48	1219	12	305	0.250	6
6	152	6	152	0.125	3		50	1270	12	305	0.250	6
8	203	6	152	0.125	3		52	1321	12	305	0.250	6
10	254	6	152	0.125	3		54	1372	12	305	0.250	6
12	305	12	305	0.125	3		56	1422	12	305	0.250	6
14	356	12	305	0.250	6		58	1473	12	305	0.250	6
16	406	12	305	0.250	6		60	1524	12	305	0.250	6
18	457	12	305	0.250	6		62	1575	12	305	0.250	6
20	508	12	305	0.250	6		64	1626	12	305	0.250	6
22	559	12	305	0.250	6		66	1676	12	305	0.250	6
24	610	12	305	0.250	6		68	1727	12	305	0.250	6
26	660	12	305	0.250	6		72	1829	12	305	0.250	6
28	711	12	305	0.250	6		78	1981	12	305	0.250	6
30	762	12	305	0.250	6		84	2134	12	305	0.250	6
32	813	12	305	0.250	6		90	2286	12	305	0.250	6
34	864	12	305	0.250	6		96	2438	12	305	0.250	6
36	914	12	305	0.250	6		102	2591	18	457	0.313	8
38	965	12	305	0.250	6		108	2743	18	457	0.313	8
40	1016	12	305	0.250	6		114	2896	18	457	0.313	8
42	1067	12	305	0.250	6		120	3048	18	457	0.313	8
44	1118	12	305	0.250	6		126	3200	18	457	0.313	8
46	1168	12	305	0.250	6		132	3353	18	457	0.313	8