

## Composites USA, Inc. - Fitting Standards

**Fitting Style No.:** SS-280  
**Order as Fitting:** SS-280      "-D"

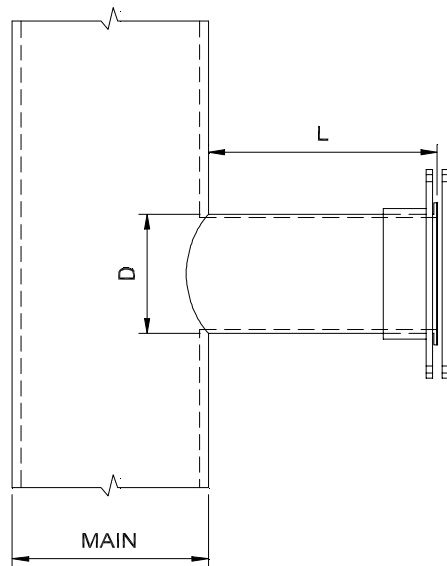
**Material:** Pure Guard SS  
**Options:**  Stainless bolt set



- Alternative Drilling
- Quick Clamps
- Clamps with Alternative Adapters

**Project Specifications:** Standard Design & Materials, -6" w.c.  
 Ships standard with flange, blind flange, one plated bolt set and gasket

### FLANGED SAMPLE TAP



Tap Diameter "D"		Stand-off L		Flange Style		Tap Diameter "D"		Stand-off L		Flange Style
inches	mm	inches	mm			inches	mm	inches	mm	
2	51	6	152	150 lb Drill		4	102	6	152	150 lb Drill
2 1/2	64	6	152	150 lb Drill		6	152	6	152	150 lb Drill
3	76	6	152	150 lb Drill		8	203	6	152	150 lb Drill