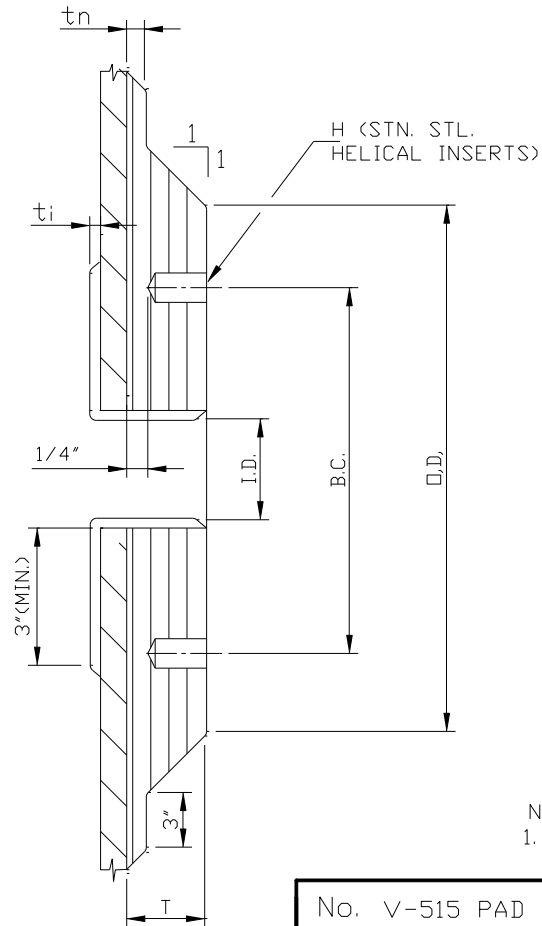



STANDARD TYPE NOZZLE SCHEDULE 150# DRILLING PER ASME RTP-1  
ALL DIMENSIONS ARE IN INCHES

PAD ID	PAD OD	PAD BC	# OF HOLES	STD 50 PSI		ti
				H (THREADS)	T	
1	4 3/4	3 1/8	4	5/8-11UNC	1 1/4	V,3m
1 1/2	5 1/2	3 7/8	4	5/8-11UNC	1 1/4	V,3m
2	6	4 3/4	4	3/4-10UNC	1 1/2	V,3m
3	7 1/2	6	4	3/4-10UNC	1 1/2	V,3m
4	9	7 1/2	8	3/4-10UNC	1 1/2	V,3m
6	11	9 1/2	8	7/8-9UNC	1 3/4	V,3m
8	13 1/2	11 3/4	8	7/8-9UNC	1 3/4	V,3m
10	16	14 1/4	12	1-8UNC	2	V,3m
12	19	17	12	1-8UNC	2	V,3m
14	21	18 3/4	12	1 1/8-7UNC	2 1/4	V,3m



NOTE:  
1. ti AS SHOWN UNLESS OTHERWISE SPECIFIED

No. V-515 PAD FLANGE NOZZLES	
	
One Peninsula Drive, North East, MD USA 21901 1-410-287-2700 Fax: 1-410-287-5222 info@compositesusa.com	
Revision Date	Sheet 1 of 1
This drawing may not be reproduced without written permission of Composites USA, Inc.	