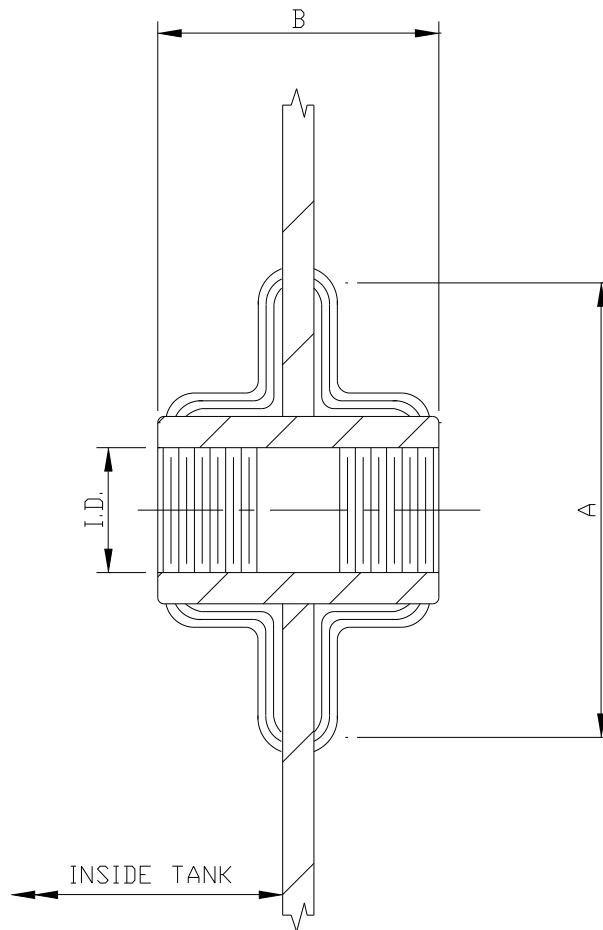


I.D.	A	B
3/4"	6"	4 1/2"
1"	7"	4 1/2"
1 1/2"	7 1/2"	4 1/2"
2"	8"	4 1/2"
2 1/2"	8 1/2"	4 1/2"
3"	9"	4 1/2"
4"	10"	4 1/2"
6"	12"	4 1/2"

MATERIALS OF CONSTRUCTION:  
FRP STANDARD  
STN. STL., PVC, CPVC OPTION



No. V-585 THREADED FULL COUPLING

*COMPOSITES USA*

One Peninsula Drive, North East, MD USA 21901

1-410-287-2700 Fax:1-410-287-5222 info@compositesusa.com

NOTE:  
STANDARD COUPLING ARE NPT  
NATIONAL PIPE THREAD

Revision Date

Sheet 1 of 1

This drawing may not be reproduced without written permission of Composites USA, Inc.