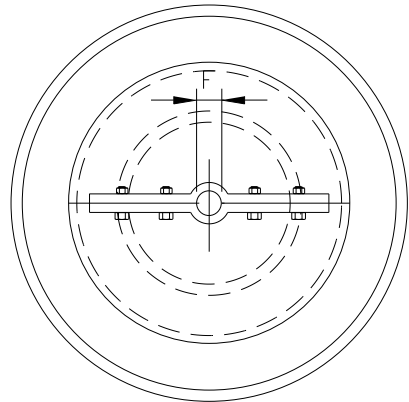
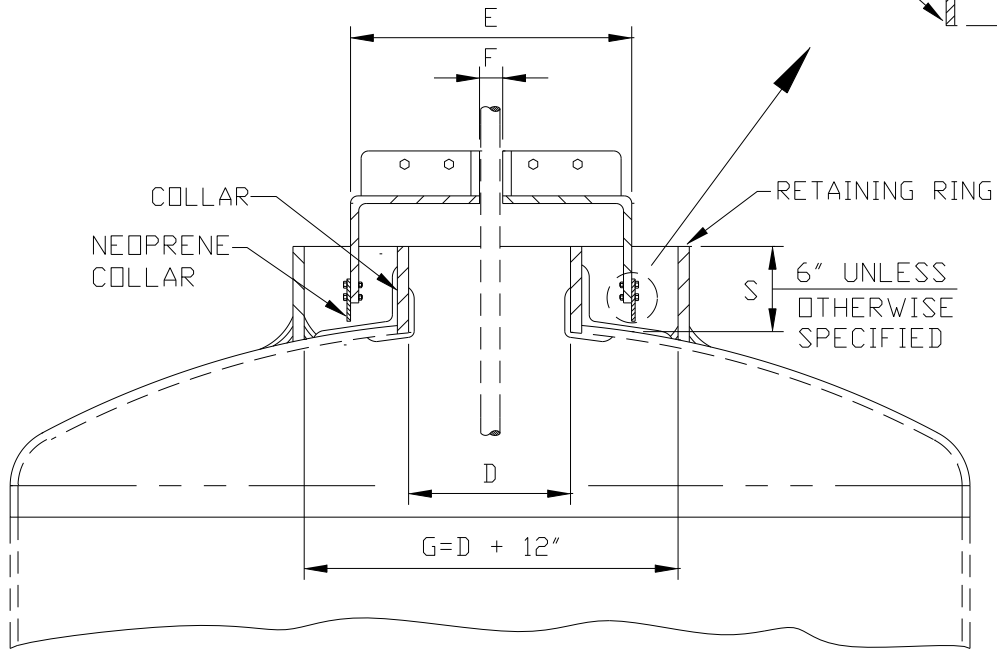
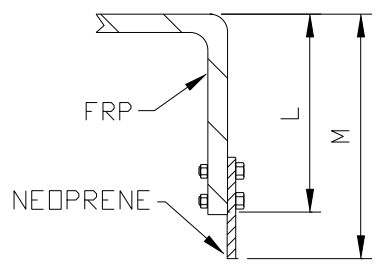


COLLAR I.D. "D"	COVER O.D. "E"	CENTER HOLE DIAMETER "F"	RETAINING RING I.D. "G"	STAND OFF "S"	BOLTS	"L"	"M"	
FRP	FRP		FRP		PLATED STEEL			STANDARD CONSTRUCTION



PLAN



ELEVATION

No. V-755 AGITATOR SHAFT GLAND COLLAR

COMPOSITES USA

One Peninsula Drive, North East, MD USA 21901
 1-410-287-2700 Fax: 1-410-287-5222 info@compositesusa.com

NOTE:
 1. SEE FIGURE 505 FOR STANDARD
 NOZZLE INSTALLATION

Revision Date Sheet 1 of 1

This drawing may not be reproduced without written permission of Composites USA, Inc.